

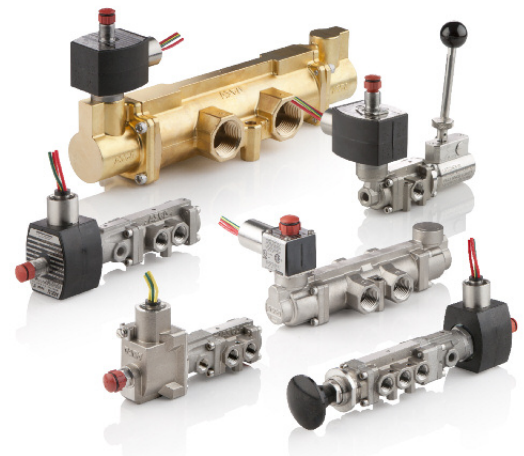
# ASCO™ Spool Valves

Pilot Operated, Explosion-Proof, Low Power Solenoid Valves | 1/4" - 1" NPT

3/2  
SERIES  
362/562

## Features

- Ideal for valve automation for the oil and gas market
- Reliable, robust design with high flow performance
- Corrosion Resistant - 316L Stainless Steel valve materials make it ideal for offshore and harsh environments
- Solenoid options with Factory Sealed Leads reduces installation time
- Explosion-proof solenoid options
- ATEX & IECEx, UL and CSA global approval options for hazardous locations
- Rated for air, inert gas and sweet dry natural gas
- SIL 3 Capable options
- Manual override option



## Construction

| Valve Parts in Contact with Fluids |                                         |
|------------------------------------|-----------------------------------------|
| Body                               | 316L Stainless Steel, Brass             |
| Spring                             | Cobalt Alloy                            |
| Seals                              | FKM (standard), Low Temp NBR (optional) |
| Core and Plugnut                   | 430F Stainless Steel                    |
| Spool                              | 316L Stainless Steel                    |

## Electrical

| Solenoid Options                               | Insulation Class | Wattage        | Spare Coil Part Number |
|------------------------------------------------|------------------|----------------|------------------------|
| Intrinsically Safe                             | H                | 0.48 W         | 298006                 |
| Ultra Low Power Explosionproof                 | F/H              | 0.55/0.7 W     | 274714/274914          |
| Ultra Low Power General Purpose                | F/H              | 0.55/0.7 W     | 238710/238910          |
| Ultra Low Power DIN                            | F                | 0.55 W         | 238712                 |
| Intrinsically Safe DIN                         | H                | 0.48 W         | 298008                 |
| Electronically Enhanced General Purpose        | H                | 1.2 to 1.5 W   | 250404                 |
| Electronically Enhanced Explosion Proof Div. 2 | H                | 1.2 to 1.5 W   | 250504                 |
| Standard Low Power                             | F/H              | 1.4 W/1.8 W    | 274714/274914          |
| Compact Low Power                              | F                | 1.8 W          | 437962                 |
| Standard AC                                    | F/H              | 10.1 W         | 274614/274814          |
| Standard DC                                    | F/H              | 11.6 W         | 274714/274914          |
| Stainless Steel Encapsulated                   | F                | 1.8 W          | 505434                 |
| Surge Suppression                              | F/F/H            | 0.75/1.7/2.0 W | 276007/276007/523130   |

**IMPORTANT:** Supervisory & leakage current above the drop out current listed will cause improper operation. Consult your local ASCO sales office for additional assistance.

| Description                  | Wattage | Voltage (DC) | Min. Pull In (mA) | Drop Out (mA) | Coil Resistance at 68°F (20°C) (Ohms) |
|------------------------------|---------|--------------|-------------------|---------------|---------------------------------------|
| Ultra Low Power              | 0.55 W  | 12V          | 34.0              | 3.63          | 255                                   |
|                              |         | 24V          | 17.0              | 1.80          | 1025                                  |
|                              |         | 48V          | 8.5               | 0.91          | 4080                                  |
|                              |         | 125V         | 3.2               | 0.34          | 27,400                                |
| Standard Low Power           | 1.4 W   | 12 V         | 83.5              | 13.9          | 102                                   |
|                              |         | 24 V         | 42.0              | 7.0           | 410                                   |
| Compact Low Power            | 1.8 W   | 12 V         | 95.0              | 20.0          | 80                                    |
|                              |         | 24 V         | 47.0              | 10.0          | 320                                   |
| Stainless Steel Encapsulated | 1.8 W   | 12 V         | 99.0              | 18.0          | 80                                    |
|                              |         | 24 V         | 47.0              | 10.0          | 320                                   |

## Minimum Ambient/Fluid Temp. \*

| Brass              | Stainless Steel |
|--------------------|-----------------|
| FKM: -4°F (-20°C)  | -4°F (-20°C)    |
| NBR: -40°F (-40°C) | -40°F (-40°C)   |

**Note:** Low Temperature option for all manual component options: -20°F to 200°F (-29°C to 93°C)

\*See next page for solenoid temperature ranges.

## Solenoid Enclosures

**Standard:** Explosionproof and Watertight, Types 4X, 6, & 6P. Refer to Engineering Section for fluid and temp. compatibility.

## Approvals

### Solenoid Only:

UL and CSA certified for Class I, Div. 1 locations - (except General Purpose and Electronically Enhanced voltage ranging)  
 UL and CSA certified for Class I, Div. 2 (Explosion-Proof Electronically Enhanced voltage ranging and JS2D Junction Box)  
 ATEX, IECEx: Ex db mb - All Solenoid except Compact Low Power and Stainless Steel Encapsulated  
 ATEX, IECEx: Ex db: Stainless Steel Encapsulated Solenoid  
 ATEX, IECEx: Ex eb mb: JS2D Junction Box  
 SIL 3 Capable options (Excludes manual lever reset constructions)


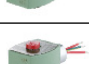

Refer to Engineering for details.

## Important

These solenoid valves are intended for use on clean dry air, inert gas, or sweet dry natural gas filtered to 40 micron or better. The dew point of the media should be at least 10°C (18°F) below the minimum temperature to which any portion of the air, inert gas or sweet dry natural gas system could be exposed to prevent freezing. If lubricated air is used, the lubricants must be compatible with FKM and LT NBR elastomers. Instrument air in compliance with ANSI/ISA Standard 7.0.01-1996 exceeds the above requirements and is, therefore, an acceptable media for these valves.

SPECIAL SERVICE  
PILOT

Solenoid Derivatives

| Solenoid Operator                                                                   |                                                                                       | Watts      |                                      | Ambient Temp./Fluid AC           |              | Ambient Temp./Fluid DC           |                                                                                                                          |  |
|-------------------------------------------------------------------------------------|---------------------------------------------------------------------------------------|------------|--------------------------------------|----------------------------------|--------------|----------------------------------|--------------------------------------------------------------------------------------------------------------------------|--|
|                                                                                     |                                                                                       | AC         | DC                                   | Min. °F (°C)                     | Max. °F (°C) | Min. °F (°C)                     | Max. °F (°C)                                                                                                             |  |
| <b>Solenoid</b>                                                                     |                                                                                       |            |                                      |                                  |              |                                  |                                                                                                                          |  |
|    | <b>EV</b><br>Explosion-Proof Solenoid                                                 | 10.1       | 11.6<br>1.4<br>1.7*<br>0.55<br>0.75* | -4 (-20) FKM<br>-40 (-40) LT NBR | 125 (52)     | -4 (-20) FKM<br>-40 (-40) LT NBR | 131 (55) For 11.6 W<br>140 (60) For 1.4 W and 1.7 W<br>149 (65) For 0.55 W and 0.75 W                                    |  |
|    | <b>EVHT</b><br>High Temperature<br>Explosion-Proof Solenoid                           | 10.1       | 11.6<br>2.0*<br>1.8<br>0.7           | -4 (-20) FKM<br>-40 (-40) LT NBR | 140 (60)     | -4 (-20) FKM<br>-40 (-40) LT NBR | 131 (55) For 11.6 W<br>176 (80) For 1.8 W and 2.0 W ①<br>176 (80) For 0.7 W                                              |  |
|    | <b>Compact Low Power</b>                                                              | -          | 1.8                                  | -                                | -            | -4 (-20) FKM<br>-40 (-40) LT NBR | 200 (93)                                                                                                                 |  |
|    | <b>Intrinsically Safe (IS)</b><br>(Conduit)                                           | -          | 0.48                                 | -                                | -            | -4 (-20) FKM<br>-40 (-40) LT NBR | 149 (65)                                                                                                                 |  |
|    | <b>Electronically Enhanced Voltage Ranging</b><br>General Purpose                     | 1.2 to 1.5 | 1.2 to 1.5                           |                                  |              |                                  | 140 (60) - Max<br>-4 (-20) FKM & -40 (-40) LT NBR - Min                                                                  |  |
|    | <b>Electronically Enhanced Voltage Ranging</b><br>Explosion-Proof - Div. 2            | 1.2 to 1.5 | 1.2 to 1.5                           |                                  |              |                                  | 140 (60) - Max<br>-4 (-20) FKM & -40 (-40) LT NBR - Min                                                                  |  |
|    | <b>Intrinsically Safe DIN (ISSC)</b>                                                  | -          | 0.48                                 | -                                | -            | -4 (-20) FKM<br>-40 (-40) LT NBR | 149 (65)                                                                                                                 |  |
|   | <b>DIN Connection</b><br>General Purpose                                              | 10.1       | 11.6<br>1.4<br>0.55                  | -4 (-20) FKM<br>-40 (-40) LT NBR | 125 (52)     | -4 (-20) FKM<br>-40 (-40) LT NBR | 131 (55) For 11.6 W<br>140 (60) For 1.4 W<br>149 (65) For 0.55 W                                                         |  |
|  | <b>General Purpose</b><br>Red-Hat II Solenoid (Conduit)                               | 10.1       | 11.6<br>1.4<br>0.55                  | -4 (-20) FKM<br>-40 (-40) LT NBR | 125 (52)     | -4 (-20) FKM<br>-40 (-40) LT NBR | 131 (55) For 11.6 W<br>140 (60) For 1.4 W<br>149 (65) For 0.55 W                                                         |  |
|  | <b>General Purpose</b><br>High Temperature (Class H)<br>Red-Hat II Solenoid (Conduit) | 10.1       | 11.6<br>1.8<br>0.7                   | -4 (-20) FKM<br>-40 (-40) LT NBR | 140 (60)     | -4 (-20) FKM<br>-40 (-40) LT NBR | 131 (55) For 11.6 W<br>176 (80) For 1.8 W<br>176 (80) For 0.7 W                                                          |  |
|  | <b>Stainless Steel Encapsulated</b><br>22mm coil<br>Explosion-Proof, Div. 1           | -          | 1.8                                  | -                                | -            | -4 (-20) FKM                     | 194 (90)                                                                                                                 |  |
| <b>Enclosures</b>                                                                   |                                                                                       |            |                                      |                                  |              |                                  |                                                                                                                          |  |
|  | <b>JS2D</b><br>Class I, Div. 2 Junction Box                                           | 10.1       | 11.6<br>1.4<br>1.7*<br>0.55<br>0.75  | -4 (-20) FKM<br>-40 (-40) LT NBR | 125 (52)     | -4 (-20) FKM<br>-40 (-40) LT NBR | 115 (46) (ATEX, IECEx) & 131 (55) (UL, CSA) For 11.6 W<br>140 (60) For 1.4 W and 1.7 W<br>149 (65) For 0.55 W and 0.75 W |  |
|  | <b>JSIS</b><br>Intrinsically Safe - Class I,<br>Div. 1 & 2 Junction Box               | -          | 0.48                                 | -                                | -            | -4 (-20) FKM<br>-40 (-40) LT NBR | 149 (65)                                                                                                                 |  |
|  | <b>JBFE</b><br>Class I, Div. 1<br>Junction Box                                        | 10.1       | 11.6<br>1.4<br>1.7*<br>0.55<br>0.75* | -4 (-20) FKM<br>-40 (-40) LT NBR | 125 (52)     | -4 (-20) FKM<br>-40 (-40) LT NBR | 131 (55) For 11.6 W<br>140 (60) For 1.4 W<br>149 (65) For 0.55 W                                                         |  |
|  | <b>JBFEHT</b><br>Class I, Div. 1 (Class H)<br>High-Temperature Junction Box           | 10.1       | 11.6<br>2.0*<br>1.8<br>0.7           | -4 (-20) FKM<br>-40 (-40) LT NBR | 140 (60)     | -4 (-20) FKM<br>-40 (-40) LT NBR | 131 (55) For 11.6 W<br>165 (74) For 1.8 W and 2.0 W<br>176 (80) For 0.7 W                                                |  |

① 165 (74) (ATEX, IECEx) for LTNBR versions only. FKM - Standard version with FKM seals; LTNBR - Low Temperature NBR version. \*Surge suppression.  
Note: For additional constructions, please visit the 362/562 configurator at [www.asco.com](http://www.asco.com).

How to order

8 362 A 1 01 H1 1 1 2 F1

Connection Type

8 = NPT

Product Series

362 = 3 way for Process Automation  
562 = 4 way for Process Automation

(See configurator available at [www.asco.com](http://www.asco.com))

SPECIAL SERVICE  
PILOT

# ASCO™ Spool Valves

Pilot Operated, Explosion-Proof, Low Power Solenoid Valves | 1/4" - 1" NPT

**3/2**  
**SERIES**  
**362/562**

## Specifications English units (Metric)

| Pipe Size (in)                                    | Base Catalog Number ① |              | Function ③                                                                    | Solenoid Orientation | Flow Cv (Kv) | Main Operating Pressure Differential psi (bar) ② |            | External Pilot Pressure psi (bar) ② |            | Max. Fluid Temp. ③ F (°C) | Product Weight lbs (kgs) | Const. Ref. |
|---------------------------------------------------|-----------------------|--------------|-------------------------------------------------------------------------------|----------------------|--------------|--------------------------------------------------|------------|-------------------------------------|------------|---------------------------|--------------------------|-------------|
|                                                   | Stainless Steel       | Brass        |                                                                               |                      |              | Min.                                             | Max.       | Min.                                | Max.       |                           |                          |             |
| <b>3/2 - Normally Closed / Internally Piloted</b> |                       |              |                                                                               |                      |              |                                                  |            |                                     |            |                           |                          |             |
| 1/4"                                              | 8362A101H181          | -            | Single Solenoid/Spring Return                                                 | Straight             | 2.0 (1.7)    | 25 (1.7)                                         | 150 (10.3) | -                                   | -          | 200 (93)                  | 2.13 (0.97)              | 1           |
| 1/4"                                              | 8362A102H181          | -            | Single Solenoid, Palm Button /Spring Return                                   | Straight             | 2.0 (1.7)    | 25 (1.7)                                         | 150 (10.3) | -                                   | -          | 200 (93)                  | 2.33 (1.06)              | 2           |
| 1/4"                                              | 8362A104H181          | -            | Single Solenoid With Latching/Spring Return                                   | Straight             | 2.0 (1.7)    | 25 (1.7)                                         | 150 (10.3) | -                                   | -          | 200 (93)                  | 2.38 (1.08)              | 3           |
| 1/4"                                              | 8362A105H181          | -            | Single Solenoid, Palm Button With Latching/Spring Return                      | Straight             | 2.0 (1.7)    | 25 (1.7)                                         | 150 (10.3) | -                                   | -          | 200 (93)                  | 2.4 (1.09)               | 4           |
| 1/4"                                              | 8362A102H181          | -            | Single Solenoid, Palm Button /Spring Return                                   | 90° Solenoid         | 2.0 (1.7)    | 25 (1.7)                                         | 150 (10.3) | -                                   | -          | 200 (93)                  | 2.79 (1.27)              | 6           |
| 1/4"                                              | 8362A104H181          | -            | Single Solenoid With Latching/Spring Return                                   | 90° Solenoid         | 2.0 (1.7)    | 25 (1.7)                                         | 150 (10.3) | -                                   | -          | 200 (93)                  | 3.52 (1.6)               | 7           |
| 1/4"                                              | 8362A105H181          | -            | Single Solenoid, Palm Button With Latching/Spring Return                      | 90° Solenoid         | 2.0 (1.7)    | 25 (1.7)                                         | 150 (10.3) | -                                   | -          | 200 (93)                  | 3.45 (1.57)              | 8           |
| 1/4"                                              | 8362A101H181          | -            | Single Solenoid/Spring Return                                                 | 90° Solenoid         | 2.0 (1.7)    | 25 (1.7)                                         | 150 (10.3) | -                                   | -          | 200 (93)                  | 2.84 (1.29)              | 5           |
| 1/4"                                              | -                     | 8362BA01H181 | Single Solenoid/Spring Return                                                 | 90° Solenoid         | 1.8 (1.55)   | 40 (2.8)                                         | 150 (10.3) | -                                   | -          | 200 (93)                  | 2.02 (0.92)              | 39          |
| 1/4"                                              | 8362A141H181          | -            | Solenoid, Manual Lever Return, Latches In Energized Position                  | 90° Solenoid         | 2.0 (1.7)    | 25 (1.7)                                         | 150 (10.3) | -                                   | -          | 200 (93)                  | 3.88 (1.76)              | 33          |
| 1/4"                                              | -                     | 8362BA41H181 | Solenoid, Manual Lever Return, Latches In Energized Position                  | 90° Solenoid         | 1.8 (1.55)   | 25 (1.7)                                         | 150 (10.3) | -                                   | -          | 200 (93)                  | 3.10 (1.41)              | 35          |
| 1/4"                                              | 8362A161H181          | -            | Solenoid Spring Return, Latches In Energized Position                         | 90° Solenoid         | 2.0 (1.7)    | 25 (1.7)                                         | 150 (10.3) | -                                   | -          | 200 (93)                  | 3.88 (1.76)              | 33          |
| 1/4"                                              | -                     | 8362BA61H181 | Solenoid Spring Return, Latches In Energized Position                         | 90° Solenoid         | 1.8 (1.55)   | 40 (2.8)                                         | 150 (10.3) | -                                   | -          | 200 (93)                  | 3.10 (1.41)              | 35          |
| 1/4"                                              | 8362A181H181          | -            | Solenoid Spring Return, Latches In De-energized Position - No Voltage Release | 90° Solenoid         | 2.0 (1.7)    | 25 (1.7)                                         | 150 (10.3) | -                                   | -          | 200 (93)                  | 3.88 (1.76)              | 33          |
| 1/4"                                              | -                     | 8362BA81H181 | Solenoid Spring Return, Latches In De-energized Position - No Voltage Release | 90° Solenoid         | 1.8 (1.55)   | 40 (2.8)                                         | 150 (10.3) | -                                   | -          | 200 (93)                  | 3.10 (1.41)              | 35          |
| 3/8"                                              | 8362A201H181          | -            | Single Solenoid/Spring Return                                                 | 90° Solenoid         | 4.8 (4.1)    | 40 (2.8)                                         | 150 (10.3) | -                                   | -          | 200 (93)                  | 3.42 (1.55)              | 25          |
| 3/8"                                              | 8362A241H181          | -            | Solenoid, Manual Lever Return, Latches In Energized Position                  | 90° Solenoid         | 4.8 (4.2)    | 40 (2.8)                                         | 150 (10.3) | -                                   | -          | 200 (93)                  | 3.24 (1.47)              | 37          |
| 3/8"                                              | 8362A261H181          | -            | Solenoid Spring Return, Latches In Energized Position                         | 90° Solenoid         | 4.8 (4.2)    | 40 (2.8)                                         | 150 (10.3) | -                                   | -          | 200 (93)                  | 3.24 (1.47)              | 37          |
| 3/8"                                              | 8362A281H181          | -            | Solenoid Spring Return, Latches In De-energized Position - No Voltage Release | 90° Solenoid         | 4.8 (4.2)    | 40 (2.8)                                         | 150 (10.3) | -                                   | -          | 200 (93)                  | 3.24 (1.47)              | 37          |
| 3/8"                                              | -                     | 8362AC01H181 | Single Solenoid / Spring return                                               | 90° Solenoid         | 4.0 (3.4)    | 40 (2.8)                                         | 150 (10.3) | -                                   | -          | 200 (93)                  | 4.02 (1.82)              | 25          |
| 3/8"                                              | -                     | 8362AC41H181 | Solenoid, Manual Lever Return, Latches In Energized Position                  | 90° Solenoid         | 4.0 (3.5)    | 40 (2.8)                                         | 150 (10.3) | -                                   | -          | 200 (93)                  | 3.80 (1.72)              | 37          |
| 3/8"                                              | -                     | 8362AC61H181 | Solenoid Spring Return, Latches In Energized Position                         | 90° Solenoid         | 4.0 (3.5)    | 40 (2.8)                                         | 150 (10.3) | -                                   | -          | 200 (93)                  | 3.80 (1.72)              | 37          |
| 3/8"                                              | -                     | 8362AC81H181 | Solenoid Spring Return, Latches In De-energized Position - No Voltage Release | 90° Solenoid         | 4.0 (3.5)    | 40 (2.8)                                         | 150 (10.3) | -                                   | -          | 200 (93)                  | 3.80 (1.72)              | 37          |
| 1/2"                                              | 8362A301H181          | -            | Single Solenoid/Spring Return                                                 | 90° Solenoid         | 5.6 (4.8)    | 40 (2.8)                                         | 150 (10.3) | -                                   | -          | 200 (93)                  | 3.36 (1.52)              | 25          |
| 1/2"                                              | 8362A341H181          | -            | Solenoid, Manual Lever Return, Latches In Energized Position                  | 90° Solenoid         | 5.6 (4.8)    | 40 (2.8)                                         | 150 (10.3) | -                                   | -          | 200 (93)                  | 3.24 (1.47)              | 37          |
| 1/2"                                              | 8362A361H181          | -            | Solenoid Spring Return, Latches In Energized Position                         | 90° Solenoid         | 5.6 (4.8)    | 40 (2.8)                                         | 150 (10.3) | -                                   | -          | 200 (93)                  | 3.24 (1.47)              | 37          |
| 1/2"                                              | 8362A381H181          | -            | Solenoid Spring Return, Latches In De-energized Position - No Voltage Release | 90° Solenoid         | 5.6 (4.8)    | 40 (2.8)                                         | 150 (10.3) | -                                   | -          | 200 (93)                  | 3.24 (1.47)              | 37          |
| 1/2"                                              | -                     | 8362AD01H181 | Single Solenoid / Spring return                                               | 90° Solenoid         | 5.0 (4.3)    | 40 (2.8)                                         | 150 (10.3) | -                                   | -          | 200 (93)                  | 3.91 (1.77)              | 25          |
| 1/2"                                              | -                     | 8362AD41H181 | Solenoid, Manual Lever Return, Latches In Energized Position                  | 90° Solenoid         | 5.0 (4.3)    | 40 (2.8)                                         | 150 (10.3) | -                                   | -          | 200 (93)                  | 3.80 (1.72)              | 37          |
| 1/2"                                              | -                     | 8362AD61H181 | Solenoid Spring Return, Latches In Energized Position                         | 90° Solenoid         | 5.0 (4.3)    | 40 (2.8)                                         | 150 (10.3) | -                                   | -          | 200 (93)                  | 3.80 (1.72)              | 37          |
| 1/2"                                              | -                     | 8362AD81H181 | Solenoid Spring Return, Latches In De-energized Position - No Voltage Release | 90° Solenoid         | 5.0 (4.3)    | 40 (2.8)                                         | 150 (10.3) | -                                   | -          | 200 (93)                  | 3.80 (1.72)              | 37          |
| 3/4"                                              | 8362A401H181          | -            | Single Solenoid/Spring Return                                                 | 90° Solenoid         | 13.0 (11.2)  | 50 (3.4)                                         | 150 (10.3) | -                                   | -          | 200 (93)                  | 10.76 (4.88)             | 29          |
| 3/4"                                              | -                     | 8362AE01H181 | Single Solenoid/Spring Return                                                 | 90° Solenoid         | 13.0 (11.2)  | 50 (3.4)                                         | 150 (10.3) | -                                   | -          | 200 (93)                  | 11.9 (5.4)               | 29          |
| 1"                                                | 8362A501H181          | -            | Single Solenoid/Spring Return                                                 | 90° Solenoid         | 15.5 (13.4)  | 50 (3.4)                                         | 150 (10.3) | -                                   | -          | 200 (93)                  | 10.45 (4.74)             | 29          |
| 1"                                                | -                     | 8362AF01H181 | Single Solenoid/Spring Return                                                 | 90° Solenoid         | 15.5 (13.4)  | 50 (3.4)                                         | 150 (10.3) | -                                   | -          | 200 (93)                  | 11.48 (5.21)             | 29          |
| <b>3/2 - Normally Closed / Externally Piloted</b> |                       |              |                                                                               |                      |              |                                                  |            |                                     |            |                           |                          |             |
| 1/4"                                              | 8362A101H101          | -            | Single Solenoid/Spring Return                                                 | Straight             | 2.0 (1.7)    | 0                                                | 150 (10.3) | 25 (1.7)                            | 150 (10.3) | 200 (93)                  | 2.02 (0.92)              | 1           |
| 1/4"                                              | 8362A102H101          | -            | Single Solenoid, Palm Button /Spring Return                                   | Straight             | 2.0 (1.7)    | 0                                                | 150 (10.3) | 25 (1.7)                            | 150 (10.3) | 200 (93)                  | 2.33 (1.06)              | 2           |
| 1/4"                                              | 8362A104H101          | -            | Single Solenoid With Latching/Spring Return                                   | Straight             | 2.0 (1.7)    | 0                                                | 150 (10.3) | 25 (1.7)                            | 150 (10.3) | 200 (93)                  | 2.38 (1.08)              | 3           |
| 1/4"                                              | 8362A105H101          | -            | Single Solenoid, Palm Button With Latching/Spring Return                      | Straight             | 2.0 (1.7)    | 0                                                | 150 (10.3) | 25 (1.7)                            | 150 (10.3) | 200 (93)                  | 2.4 (1.09)               | 4           |
| 1/4"                                              | 8362A102H101          | -            | Single Solenoid, Palm Button /Spring Return                                   | 90° Solenoid         | 2.0 (1.7)    | 0                                                | 150 (10.3) | 25 (1.7)                            | 150 (10.3) | 200 (93)                  | 2.79 (1.27)              | 6           |
| 1/4"                                              | 8362A104H101          | -            | Single Solenoid With Latching/Spring Return                                   | 90° Solenoid         | 2.0 (1.7)    | 0                                                | 150 (10.3) | 25 (1.7)                            | 150 (10.3) | 200 (93)                  | 3.52 (1.6)               | 7           |
| 1/4"                                              | 8362A105H101          | -            | Single Solenoid, Palm Button With Latching/Spring Return                      | 90° Solenoid         | 2.0 (1.7)    | 0                                                | 150 (10.3) | 25 (1.7)                            | 150 (10.3) | 200 (93)                  | 3.45 (1.57)              | 8           |
| 1/4"                                              | 8362A101H101          | -            | Single Solenoid/Spring Return                                                 | 90° Solenoid         | 2.0 (1.7)    | 0                                                | 150 (10.3) | 25 (1.7)                            | 150 (10.3) | 200 (93)                  | 2.84 (1.29)              | 5           |
| 1/4"                                              | -                     | 8362BA01H101 | Single Solenoid/Spring Return                                                 | 90° Solenoid         | 1.8 (1.55)   | 0                                                | 150 (10.3) | 40 (2.8)                            | 150 (10.3) | 200 (93)                  | 2.02 (0.92)              | 39          |
| 1/4"                                              | 8362A141H101          | -            | Solenoid, Manual Lever Return, Latches In Energized Position                  | 90° Solenoid         | 2.0 (1.7)    | 0                                                | 150 (10.3) | 25 (1.7)                            | 150 (10.3) | 200 (93)                  | 3.88 (1.76)              | 33          |
| 1/4"                                              | -                     | 8362BA41H101 | Solenoid, Manual Lever Return, Latches In Energized Position                  | 90° Solenoid         | 1.8 (1.55)   | 0                                                | 150 (10.3) | 25 (1.7)                            | 150 (10.3) | 200 (93)                  | 3.10 (1.41)              | 35          |
| 1/4"                                              | 8362A161H101          | -            | Solenoid Spring Return, Latches In Energized Position                         | 90° Solenoid         | 2.0 (1.7)    | 0                                                | 150 (10.3) | 25 (1.7)                            | 150 (10.3) | 200 (93)                  | 3.88 (1.76)              | 33          |
| 1/4"                                              | -                     | 8362BA61H101 | Solenoid Spring Return, Latches In Energized Position                         | 90° Solenoid         | 1.8 (1.55)   | 0                                                | 150 (10.3) | 40 (2.8)                            | 150 (10.3) | 200 (93)                  | 3.10 (1.41)              | 35          |
| 1/4"                                              | 8362A181H101          | -            | Solenoid Spring Return, Latches In De-energized Position - No Voltage Release | 90° Solenoid         | 2.0 (1.7)    | 0                                                | 150 (10.3) | 25 (1.7)                            | 150 (10.3) | 200 (93)                  | 3.88 (1.76)              | 33          |
| 1/4"                                              | -                     | 8362BA81H101 | Solenoid Spring Return, Latches In De-energized Position - No Voltage Release | 90° Solenoid         | 1.8 (1.55)   | 0                                                | 150 (10.3) | 40 (2.8)                            | 150 (10.3) | 200 (93)                  | 3.10 (1.41)              | 35          |
| 3/8"                                              | 8362A201H101          | -            | Single Solenoid / Spring return                                               | 90° Solenoid         | 4.8 (4.1)    | 0                                                | 200 (13.8) | 40 (2.8)                            | 150 (10.3) | 200 (93)                  | 3.42 (1.55)              | 25          |
| 3/8"                                              | 8362A241H101          | -            | Solenoid, Manual Lever Return, Latches In Energized Position                  | 90° Solenoid         | 4.8 (4.2)    | 0                                                | 200 (13.8) | 40 (2.8)                            | 150 (10.3) | 200 (93)                  | 3.24 (1.47)              | 37          |
| 3/8"                                              | 8362A261H101          | -            | Solenoid Spring Return, Latches In Energized Position                         | 90° Solenoid         | 4.8 (4.2)    | 0                                                | 200 (13.8) | 40 (2.8)                            | 150 (10.3) | 200 (93)                  | 3.24 (1.47)              | 37          |
| 3/8"                                              | 8362A281H101          | -            | Solenoid Spring Return, Latches In De-energized Position - No Voltage Release | 90° Solenoid         | 4.8 (4.2)    | 0                                                | 200 (13.8) | 40 (2.8)                            | 150 (10.3) | 200 (93)                  | 3.24 (1.47)              | 37          |
| 3/8"                                              | -                     | 8362AC01H101 | Single Solenoid / Spring return                                               | 90° Solenoid         | 4.0 (3.5)    | 0                                                | 200 (13.8) | 40 (2.8)                            | 150 (10.3) | 200 (93)                  | 3.80 (1.72)              | 37          |
| 3/8"                                              | -                     | 8362AC41H101 | Solenoid, Manual Lever Return, Latches In Energized Position                  | 90° Solenoid         | 4.0 (3.5)    | 0                                                | 200 (13.8) | 40 (2.8)                            | 150 (10.3) | 200 (93)                  | 3.80 (1.72)              | 37          |
| 3/8"                                              | -                     | 8362AC61H101 | Solenoid Spring Return, Latches In Energized Position                         | 90° Solenoid         | 4.0 (3.5)    | 0                                                | 200 (13.8) | 40 (2.8)                            | 150 (10.3) | 200 (93)                  | 3.80 (1.72)              | 37          |
| 3/8"                                              | -                     | 8362AC81H101 | Solenoid Spring Return, Latches In De-energized Position - No Voltage Release | 90° Solenoid         | 4.0 (3.5)    | 0                                                | 200 (13.8) | 40 (2.8)                            | 150 (10.3) | 200 (93)                  | 3.80 (1.72)              | 37          |
| 1/2"                                              | 8362A301H101          | -            | Single Solenoid / Spring return                                               | 90° Solenoid         | 5.6 (4.8)    | 0                                                | 200 (13.8) | 40 (2.8)                            | 150 (10.3) | 200 (93)                  | 3.36 (1.52)              | 25          |
| 1/2"                                              | 8362A341H101          | -            | Solenoid, Manual Lever Return, Latches In Energized Position                  | 90° Solenoid         | 5.6 (4.8)    | 0                                                | 200 (13.8) | 40 (2.8)                            | 150 (10.3) | 200 (93)                  | 3.24 (1.47)              | 37          |
| 1/2"                                              | 8362A361H101          | -            | Solenoid Spring Return, Latches In Energized Position                         | 90° Solenoid         | 5.6 (4.8)    | 0                                                | 200 (13.8) | 40 (2.8)                            | 150 (10.3) | 200 (93)                  | 3.24 (1.47)              | 37          |
| 1/2"                                              | 8362A381H101          | -            | Solenoid Spring Return, Latches In De-energized Position - No Voltage Release | 90° Solenoid         | 5.6 (4.8)    | 0                                                | 200 (13.8) | 40 (2.8)                            | 150 (10.3) | 200 (93)                  | 3.24 (1.47)              | 37          |
| 1/2"                                              | -                     | 8362AD01H101 | Single Solenoid / Spring return                                               | 90° Solenoid         | 5.0 (4.3)    | 0                                                | 200 (13.8) | 40 (2.8)                            | 150 (10.3) | 200 (93)                  | 3.91 (1.77)              | 25          |
| 1/2"                                              | -                     | 8362AD41H101 | Solenoid, Manual Lever Return, Latches In Energized Position                  | 90° Solenoid         | 5.0 (4.3)    | 0                                                | 200 (13.8) | 40 (2.8)                            | 150 (10.3) | 200 (93)                  | 3.80 (1.72)              | 37          |
| 1/2"                                              | -                     | 8362AD61H101 | Solenoid Spring Return, Latches In Energized Position                         | 90° Solenoid         | 5.0 (4.3)    | 0                                                | 200 (13.8) | 40 (2.8)                            | 150 (10.3) | 200 (93)                  | 3.80 (1.72)              | 37          |
| 1/2"                                              | -                     | 8362AD81H101 | Solenoid Spring Return, Latches In De-energized Position - No Voltage Release | 90° Solenoid         | 5.0 (4.3)    | 0                                                | 200 (13.8) | 40 (2.8)                            | 150 (10.3) | 200 (93)                  | 3.80 (1.72)              | 37          |
| 3/4"                                              | 8362A401H101          | -            | Single Solenoid/Spring Return                                                 | 90° Solenoid         | 13.0 (11.2)  | 0                                                | 200 (13.8) | 50 (3.4)                            | 150 (10.3) | 200 (93)                  | 10.86 (4.93)             | 29          |
| 3/4"                                              | -                     | 8362AE01H101 | Single Solenoid/Spring Return                                                 | 90° Solenoid         | 13.0 (11.2)  | 0                                                | 200 (13.8) | 50 (3.4)                            | 150 (10.3) | 200 (93)                  | 11.9 (5.4)               | 29          |
| 1"                                                | 8362A501H101          | -            | Single Solenoid/Spring Return                                                 | 90° Solenoid         | 15.5 (13.4)  | 0                                                | 200 (13.8) | 50 (3.4)                            | 150 (10.3) | 200 (93)                  | 10.58 (4.8)              | 29          |
| 1"                                                | -                     | 8362AF01H101 | Single Solenoid/Spring Return                                                 | 90° Solenoid         | 15.5 (13.4)  | 0                                                | 200 (13.8) | 50 (3.4)                            | 150 (10.3) | 200 (93)                  | 11.48 (5.21)             | 29          |

① Please refer to the How to Order section to complete base catalog number selection.

② MOPD values specified are for Compact Low Power versions (1.8 W).

Please visit our website to obtain MOPD's per all solenoid types.

③ Maximum fluid temperature cannot exceed solenoid fluid temperature.

④ 1/4", 3/8", and 1/2" brass and stainless steel valves can be used as selector valves with two different input pressures with no change to existing ratings. 3/4" and 1" valves can be used as selectors with LTNBR versions limited to -31°F (-35°C). In a selector valve, one pressure is applied to Port 1 and another pressure applied to Port 3. Operating the valve allows the user to select which input pressure will flow through Port 2. Port 2 will always be pressurized. Consult I&M sheet for more information.

SPECIAL SERVICE  
PILOT





# ASCO™ Spool Valves

Pilot Operated, Explosion-Proof, Low Power Solenoid Valves | 1/4" - 1" NPT

**3/2  
SERIES  
362/562**

## Specifications English units (Metric)

| Pipe Size (in)                                         | Base Catalog Number ① |              | Function ④                                                                    | Solenoid Orientation | Flow Cv (Kv) | Main Operating Pressure Differential psi (bar) ② |            | External Pilot Pressure psi (bar) ② |            | Max. Fluid Temp. ③ °F (°C) | Product Weight lbs (kgs) | Const. Ref. |
|--------------------------------------------------------|-----------------------|--------------|-------------------------------------------------------------------------------|----------------------|--------------|--------------------------------------------------|------------|-------------------------------------|------------|----------------------------|--------------------------|-------------|
|                                                        | Stainless Steel       | Brass        |                                                                               |                      |              | Min.                                             | Max.       | Min.                                | Max.       |                            |                          |             |
|                                                        |                       |              |                                                                               |                      |              |                                                  |            |                                     |            |                            |                          |             |
| <b>3/2 - Normally Closed Detent/Internally Piloted</b> |                       |              |                                                                               |                      |              |                                                  |            |                                     |            |                            |                          |             |
| 1/4"                                                   | 8362A103H1D1          | -            | Single Solenoid, Palm Button/Manual Return                                    | Straight             | 2.0 (1.7)    | 25 (1.8)                                         | 150 (10.3) | -                                   | -          | 200 (93)                   | 2.51                     | 22          |
| 1/4"                                                   | 8362A103H1D1          | -            | Single Solenoid, Palm Button/Manual Return                                    | 90° Solenoid         | 2.0 (1.7)    | 25 (1.8)                                         | 150 (10.3) | -                                   | -          | 200 (93)                   | 2.51                     | 18          |
| <b>3/2 - Normally Closed Detent/Externally Piloted</b> |                       |              |                                                                               |                      |              |                                                  |            |                                     |            |                            |                          |             |
| 1/4"                                                   | 8362A103H141          | -            | Single Solenoid, Palm Button/Manual Return                                    | Straight             | 2.0 (1.7)    | 0                                                | 150 (10.3) | 25 (1.8)                            | 150 (10.3) | 200 (93)                   | 2.51                     | 22          |
| 1/4"                                                   | 8362A103H141          | -            | Single Solenoid, Palm Button/Manual Return                                    | 90° Solenoid         | 2.0 (1.7)    | 0                                                | 150 (10.3) | 25 (1.8)                            | 150 (10.3) | 200 (93)                   | 2.51                     | 18          |
| <b>3/2 - Normally Open Detent/Internally Piloted</b>   |                       |              |                                                                               |                      |              |                                                  |            |                                     |            |                            |                          |             |
| 1/4"                                                   | 8362A103H1E1          | -            | Single Solenoid, Palm Button/Manual Return                                    | Straight             | 2.0 (1.7)    | 25 (1.8)                                         | 150 (10.3) | -                                   | -          | 200 (93)                   | 2.51                     | 22          |
| 1/4"                                                   | 8362A103H1E1          | -            | Single Solenoid, Palm Button/Manual Return                                    | 90° Solenoid         | 2.0 (1.7)    | 25 (1.8)                                         | 150 (10.3) | -                                   | -          | 200 (93)                   | 2.51                     | 18          |
| <b>3/2 - Normally Open Detent/Externally Piloted</b>   |                       |              |                                                                               |                      |              |                                                  |            |                                     |            |                            |                          |             |
| 1/4"                                                   | 8362A103H151          | -            | Single Solenoid, Palm Button/Manual Return                                    | Straight             | 2.0 (1.7)    | 0                                                | 150 (10.3) | 25 (1.8)                            | 150 (10.3) | 200 (93)                   | 2.51                     | 22          |
| 1/4"                                                   | 8362A103H151          | -            | Single Solenoid, Palm Button/Manual Return                                    | 90° Solenoid         | 2.0 (1.7)    | 0                                                | 150 (10.3) | 25 (1.8)                            | 150 (10.3) | 200 (93)                   | 2.51                     | 18          |
| <b>3/2 - Detent/Internally Piloted</b>                 |                       |              |                                                                               |                      |              |                                                  |            |                                     |            |                            |                          |             |
| 1/4"                                                   | 8362A106H1G1          | -            | Dual Solenoid                                                                 | Straight             | 2.0 (1.7)    | 15 (1.0)                                         | 150 (10.3) | -                                   | -          | 200 (93)                   | 4.49                     | 11          |
| 1/4"                                                   | 8362A106H1G1          | -            | Dual Solenoid                                                                 | 90° Solenoid         | 2.0 (1.7)    | 15 (1.0)                                         | 150 (10.3) | -                                   | -          | 200 (93)                   | 4.49                     | 12          |
| 1/4"                                                   | -                     | 8362BA06H1G1 | Dual Solenoid                                                                 | 90° Solenoid         | 1.8 (1.55)   | 15 (1.0)                                         | 150 (10.3) | -                                   | -          | 200 (93)                   | 3.67 (1.67)              | 41          |
| <b>3/2 - Detent/Externally Piloted</b>                 |                       |              |                                                                               |                      |              |                                                  |            |                                     |            |                            |                          |             |
| 1/4"                                                   | 8362A106H171          | -            | Dual Solenoid                                                                 | Straight             | 2.0 (1.7)    | 0                                                | 150 (10.3) | 15 (1.0)                            | 150 (10.3) | 200 (93)                   | 4.49                     | 11          |
| 1/4"                                                   | 8362A106H171          | -            | Dual Solenoid                                                                 | 90° Solenoid         | 2.0 (1.7)    | 0                                                | 150 (10.3) | 15 (1.0)                            | 150 (10.3) | 200 (93)                   | 4.49                     | 12          |
| 1/4"                                                   | -                     | 8362BA06H1G1 | Dual Solenoid                                                                 | 90° Solenoid         | 1.8 (1.55)   | 0                                                | 150 (10.3) | -                                   | -          | 200 (93)                   | 3.67 (1.67)              | 41          |
| <b>5/2 - Internally Piloted</b>                        |                       |              |                                                                               |                      |              |                                                  |            |                                     |            |                            |                          |             |
| 1/4"                                                   | 8562A101H1C1          | -            | Single Solenoid/Spring Return                                                 | Straight             | 2.0 (1.7)    | 25 (1.8)                                         | 150 (10.3) | N/A                                 | N/A        | 200 (93)                   | 3.61 (1.64)              | 13          |
| 1/4"                                                   | 8562A102H1C1          | -            | Single Solenoid, Palm Button /Spring Return                                   | Straight             | 2.0 (1.7)    | 25 (1.8)                                         | 150 (10.3) | N/A                                 | N/A        | 200 (93)                   | 3.92 (1.78)              | 14          |
| 1/4"                                                   | 8562A104H1C1          | -            | Single Solenoid With Latching/Spring Return                                   | Straight             | 2.0 (1.7)    | 25 (1.8)                                         | 150 (10.3) | N/A                                 | N/A        | 200 (93)                   | 3.96 (1.8)               | 15          |
| 1/4"                                                   | 8562A105H1C1          | -            | Single Solenoid, Palm Button With Latching/Spring Return                      | Straight             | 2.0 (1.7)    | 25 (1.8)                                         | 150 (10.3) | N/A                                 | N/A        | 200 (93)                   | 3.99 (1.81)              | 16          |
| 1/4"                                                   | 8562A102H1C1          | -            | Single Solenoid, Palm Button /Spring Return                                   | 90° Solenoid         | 2.0 (1.7)    | 25 (1.8)                                         | 150 (10.3) | N/A                                 | N/A        | 200 (93)                   | 4.38 (1.99)              | 18          |
| 1/4"                                                   | 8562A104H1C1          | -            | Single Solenoid With Latching/Spring Return                                   | 90° Solenoid         | 2.0 (1.7)    | 25 (1.8)                                         | 150 (10.3) | N/A                                 | N/A        | 200 (93)                   | 5.11 (2.32)              | 19          |
| 1/4"                                                   | 8562A105H1C1          | -            | Single Solenoid, Palm Button With Latching/Spring Return                      | 90° Solenoid         | 2.0 (1.7)    | 25 (1.8)                                         | 150 (10.3) | N/A                                 | N/A        | 200 (93)                   | 5.04 (2.29)              | 20          |
| 1/4"                                                   | 8562A101H1C1          | -            | Single Solenoid/Spring Return                                                 | 90° Solenoid         | 2.0 (1.7)    | 25 (1.8)                                         | 150 (10.3) | N/A                                 | N/A        | 200 (93)                   | 4.43 (2.01)              | 17          |
| 1/4"                                                   | -                     | 8562BA01H1C1 | Single Solenoid/Spring Return                                                 | 90° Solenoid         | 1.8 (1.55)   | 40 (2.8)                                         | 150 (10.3) | N/A                                 | N/A        | 200 (93)                   | 2.55 (1.16)              | 40          |
| 1/4"                                                   | 8562A141H1C1          | -            | Solenoid, Manual Lever Return, Latches In Energized Position                  | 90° Solenoid         | 2.0 (1.7)    | 25 (1.8)                                         | 150 (10.3) | N/A                                 | N/A        | 200 (93)                   | 4.06 (1.84)              | 34          |
| 1/4"                                                   | -                     | 8562BA41H1C1 | Solenoid, Manual Lever Return, Latches In Energized Position                  | 90° Solenoid         | 1.8 (1.55)   | 25 (1.7)                                         | 150 (10.3) | N/A                                 | N/A        | 200 (93)                   | 3.52 (1.60)              | 36          |
| 1/4"                                                   | 8562A161H1C1          | -            | Solenoid Spring Return, Latches In Energized Position                         | 90° Solenoid         | 2.0 (1.7)    | 25 (1.8)                                         | 150 (10.3) | N/A                                 | N/A        | 200 (93)                   | 4.06 (1.84)              | 34          |
| 1/4"                                                   | -                     | 8562BA61H1C1 | Solenoid Spring Return, Latches In Energized Position                         | 90° Solenoid         | 1.8 (1.55)   | 40 (2.8)                                         | 150 (10.3) | N/A                                 | N/A        | 200 (93)                   | 3.52 (1.60)              | 36          |
| 1/4"                                                   | 8562A181H1C1          | -            | Solenoid Spring Return, Latches In De-energized Position - No Voltage Release | 90° Solenoid         | 2.0 (1.7)    | 25 (1.8)                                         | 150 (10.3) | N/A                                 | N/A        | 200 (93)                   | 4.06 (1.84)              | 34          |
| 1/4"                                                   | -                     | 8562BA81H1C1 | Solenoid Spring Return, Latches In De-energized Position - No Voltage Release | 90° Solenoid         | 1.8 (1.55)   | 40 (2.8)                                         | 150 (10.3) | N/A                                 | N/A        | 200 (93)                   | 3.52 (1.60)              | 36          |
| 3/8"                                                   | 8562A201H1C1          | -            | Single Solenoid/Spring Return                                                 | 90° Solenoid         | 4.8 (4.2)    | 40 (2.8)                                         | 150 (10.3) | NA                                  | NA         | 200 (93)                   | 3.98 (1.8)               | 26          |
| 3/8"                                                   | 8562A241H1C1          | -            | Solenoid, Manual Lever Return, Latches In Energized Position                  | 90° Solenoid         | 4.8 (4.2)    | 40 (2.8)                                         | 150 (10.3) | NA                                  | NA         | 200 (93)                   | 3.75 (1.70)              | 38          |
| 3/8"                                                   | 8562A261H1C1          | -            | Solenoid Spring Return, Latches In Energized Position                         | 90° Solenoid         | 4.8 (4.2)    | 40 (2.8)                                         | 150 (10.3) | NA                                  | NA         | 200 (93)                   | 3.75 (1.70)              | 38          |
| 3/8"                                                   | 8562A281H1C1          | -            | Solenoid Spring Return, Latches In De-energized Position - No Voltage Release | 90° Solenoid         | 4.8 (4.2)    | 40 (2.8)                                         | 150 (10.3) | NA                                  | NA         | 200 (93)                   | 3.75 (1.70)              | 38          |
| 3/8"                                                   | -                     | 8562AC01H1C1 | Single Solenoid/Spring Return                                                 | 90° Solenoid         | 4.0 (3.5)    | 40 (2.8)                                         | 150 (10.3) | NA                                  | NA         | 200 (93)                   | 4.72 (2.14)              | 26          |
| 3/8"                                                   | -                     | 8562AC41H1C1 | Solenoid, Manual Lever Return, Latches In Energized Position                  | 90° Solenoid         | 4.0 (3.5)    | 40 (2.8)                                         | 150 (10.3) | NA                                  | NA         | 200 (93)                   | 4.58 (2.08)              | 38          |
| 3/8"                                                   | -                     | 8562AC61H1C1 | Solenoid Spring Return, Latches In Energized Position                         | 90° Solenoid         | 4.0 (3.5)    | 40 (2.8)                                         | 150 (10.3) | NA                                  | NA         | 200 (93)                   | 4.58 (2.08)              | 38          |
| 3/8"                                                   | -                     | 8562AC81H1C1 | Solenoid Spring Return, Latches In De-energized Position - No Voltage Release | 90° Solenoid         | 4.0 (3.5)    | 40 (2.8)                                         | 150 (10.3) | NA                                  | NA         | 200 (93)                   | 4.58 (2.08)              | 38          |
| 1/2"                                                   | 8562A301H1C1          | -            | Single Solenoid/Spring Return                                                 | 90° Solenoid         | 5.6 (4.8)    | 40 (2.8)                                         | 150 (10.3) | NA                                  | NA         | 200 (93)                   | 3.87 (1.75)              | 26          |
| 1/2"                                                   | 8562A341H1C1          | -            | Solenoid, Manual Lever Return, Latches In Energized Position                  | 90° Solenoid         | 5.6 (4.8)    | 40 (2.8)                                         | 150 (10.3) | NA                                  | NA         | 200 (93)                   | 3.75 (1.70)              | 38          |
| 1/2"                                                   | 8562A361H1C1          | -            | Solenoid Spring Return, Latches In Energized Position                         | 90° Solenoid         | 5.6 (4.8)    | 40 (2.8)                                         | 150 (10.3) | NA                                  | NA         | 200 (93)                   | 3.75 (1.70)              | 38          |
| 1/2"                                                   | 8562A381H1C1          | -            | Solenoid Spring Return, Latches In De-energized Position - No Voltage Release | 90° Solenoid         | 5.6 (4.8)    | 40 (2.8)                                         | 150 (10.3) | NA                                  | NA         | 200 (93)                   | 3.75 (1.70)              | 38          |
| 1/2"                                                   | -                     | 8562AD01H1C1 | Single Solenoid/Spring Return                                                 | 90° Solenoid         | 5.0 (4.3)    | 40 (2.8)                                         | 150 (10.3) | NA                                  | NA         | 200 (93)                   | 4.55 (2.06)              | 26          |
| 1/2"                                                   | -                     | 8562AD41H1C1 | Solenoid, Manual Lever Return, Latches In Energized Position                  | 90° Solenoid         | 5.0 (4.3)    | 40 (2.8)                                         | 150 (10.3) | NA                                  | NA         | 200 (93)                   | 4.58 (2.08)              | 38          |
| 1/2"                                                   | -                     | 8562AD61H1C1 | Solenoid Spring Return, Latches In Energized Position                         | 90° Solenoid         | 5.0 (4.3)    | 40 (2.8)                                         | 150 (10.3) | NA                                  | NA         | 200 (93)                   | 4.58 (2.08)              | 38          |
| 1/2"                                                   | -                     | 8562AD81H1C1 | Solenoid Spring Return, Latches In De-energized Position - No Voltage Release | 90° Solenoid         | 5.0 (4.3)    | 40 (2.8)                                         | 150 (10.3) | NA                                  | NA         | 200 (93)                   | 4.58 (2.08)              | 38          |
| 3/4"                                                   | 8562A401H1C1          | -            | Single Solenoid/Spring Return                                                 | 90° Solenoid         | 13.0 (11.2)  | 50 (3.4)                                         | 150 (10.3) | N/A                                 | N/A        | 200 (93)                   | 13.92 (6.31)             | 30          |
| 3/4"                                                   | -                     | 8562AE01H1C1 | Single Solenoid/Spring Return                                                 | 90° Solenoid         | 13.0 (11.2)  | 50 (3.4)                                         | 150 (10.3) | N/A                                 | N/A        | 200 (93)                   | 15.5 (7.03)              | 30          |
| 1"                                                     | 8562A501H1C1          | -            | Single Solenoid/Spring Return                                                 | 90° Solenoid         | 15.5 (13.4)  | 50 (3.4)                                         | 150 (10.3) | N/A                                 | N/A        | 200 (93)                   | 13.41 (6.08)             | 30          |
| 1"                                                     | -                     | 8562AF01H1C1 | Single Solenoid/Spring Return                                                 | 90° Solenoid         | 15.5 (13.4)  | 50 (3.4)                                         | 150 (10.3) | N/A                                 | N/A        | 200 (93)                   | 14.82 (6.72)             | 30          |
| 3/8"                                                   | 8362A206H1C1          | -            | Dual Solenoid                                                                 | 90° Solenoid         | 4.8 (4.1)    | 20 (1.4)                                         | 150 (10.3) | NA                                  | NA         | 200 (93)                   | 4.56 (2.06)              | 27          |
| 3/8"                                                   | -                     | 8362AC06H1C1 | Dual Solenoid                                                                 | 90° Solenoid         | 4.0 (3.4)    | 20 (1.4)                                         | 150 (10.3) | NA                                  | NA         | 200 (93)                   | 5.04 (2.28)              | 27          |
| 1/2"                                                   | 8362A306H1C1          | -            | Dual Solenoid                                                                 | 90° Solenoid         | 5.6 (4.8)    | 20 (1.4)                                         | 150 (10.3) | NA                                  | NA         | 200 (93)                   | 4.49 (2.03)              | 27          |
| 1/2"                                                   | -                     | 8362AD06H1C1 | Dual Solenoid                                                                 | 90° Solenoid         | 5.0 (4.3)    | 20 (1.4)                                         | 150 (10.3) | NA                                  | NA         | 200 (93)                   | 4.93 (2.23)              | 27          |
| 3/8"                                                   | 8562A206H1C1          | -            | Dual Solenoid                                                                 | 90° Solenoid         | 4.8 (4.1)    | 20 (1.4)                                         | 150 (10.3) | NA                                  | NA         | 200 (93)                   | 5.12 (2.32)              | 28          |
| 3/8"                                                   | -                     | 8562AC06H1C1 | Dual Solenoid                                                                 | 90° Solenoid         | 4.0 (3.4)    | 20 (1.4)                                         | 150 (10.3) | NA                                  | NA         | 200 (93)                   | 5.74 (2.6)               | 28          |
| 1/2"                                                   | 8562A306H1C1          | -            | Dual Solenoid                                                                 | 90° Solenoid         | 5.6 (4.8)    | 20 (1.4)                                         | 150 (10.3) | NA                                  | NA         | 200 (93)                   | 5.01 (2.27)              | 28          |
| 1/2"                                                   | -                     | 8562AD06H1C1 | Dual Solenoid                                                                 | 90° Solenoid         | 5.0 (4.3)    | 20 (1.4)                                         | 150 (10.3) | NA                                  | NA         | 200 (93)                   | 5.57 (2.52)              | 28          |
| 3/4"                                                   | 8362A406H1C1          | -            | Dual Solenoid                                                                 | 90° Solenoid         | 13.0 (11.2)  | 20 (1.4)                                         | 150 (10.3) | N/A                                 | N/A        | 200 (93)                   | 11.77 (5.34)             | 31          |
| 3/4"                                                   | -                     | 8362AE06H1C1 | Dual Solenoid                                                                 | 90° Solenoid         | 13.0 (11.2)  | 20 (1.4)                                         | 150 (10.3) | N/A                                 | N/A        | 200 (93)                   | 12.68 (5.75)             | 31          |
| 1"                                                     | 8362A506H1C1          | -            | Dual Solenoid                                                                 | 90° Solenoid         | 15.5 (13.4)  | 20 (1.4)                                         | 150 (10.3) | N/A                                 | N/A        | 200 (93)                   | 15.12 (6.86)             | 31          |
| 1"                                                     | -                     | 8362AF06H1C1 | Dual Solenoid                                                                 | 90° Solenoid         | 15.5 (13.4)  | 20 (1.4)                                         | 150 (10.3) | N/A                                 | N/A        | 200 (93)                   | 16.71 (7.58)             | 31          |
| 3/4"                                                   | 8562A406H1C1          | -            | Dual Solenoid                                                                 | 90° Solenoid         | 13.0 (11.2)  | 20 (1.4)                                         | 150 (10.3) | N/A                                 | N/A        | 200 (93)                   | 14.61 (6.63)             | 32          |
| 3/4"                                                   | -                     | 8562AE06H1C1 | Dual Solenoid                                                                 | 90° Solenoid         | 13.0 (11.2)  | 20 (1.4)                                         | 150 (10.3) | N/A                                 | N/A        | 200 (93)                   | 15.51 (7.04)             | 32          |
| 1"                                                     | 8562A506H1C1          | -            | Dual Solenoid                                                                 | 90° Solenoid         | 15.5 (13.4)  | 20 (1.4)                                         | 150 (10.3) | N/A                                 | N/A        | 200 (93)                   | 13.24 (6.01)             | 32          |
| 1"                                                     | -                     | 8562AF06H1C1 | Dual Solenoid                                                                 | 90° Solenoid         | 15.5 (13.4)  | 20 (1.4)                                         | 150 (10.3) | N/A                                 | N/A        | 200 (93)                   | 14.83 (6.73)             | 32          |

① Please refer to the How to Order section to complete base catalog number selection.

② MOPD values specified are for Compact Low Power versions (1.8 W).

Please visit our website to obtain MOPD's per all solenoid types.

③ Maximum fluid temperature cannot exceed solenoid fluid temperature.

④ 1/4", 3/8", and 1/2" brass and stainless steel valves can be used as selector valves with two different input pressures with no change to existing ratings. 3/4" and 1" valves can be used as selectors with LTNR versions limited to -31°F (-35°C). In a selector valve, one pressure is applied to Port 1 and another pressure applied to Port 3. Operating the valve allows the user to select which input pressure will flow through Port 2. Port 2 will always be pressurized. Consult I&M sheet for more information.

SPECIAL SERVICE PILOT

Specifications English units (Metric)

| Pipe Size (in)                         | Base Catalog Number ① |              | Function ④                                                                    | Solenoid Orientation | Flow Cv (Kv) | Main Operating Pressure Differential psi (bar) ② |            | External Pilot Pressure psi (bar) ② |            | Max. Fluid Temp. ③ F (°C) | Product Weight lbs (kgs) | Const. Ref. |
|----------------------------------------|-----------------------|--------------|-------------------------------------------------------------------------------|----------------------|--------------|--------------------------------------------------|------------|-------------------------------------|------------|---------------------------|--------------------------|-------------|
|                                        | Stainless Steel       | Brass        |                                                                               |                      |              | Min.                                             | Max.       | Min.                                | Max.       |                           |                          |             |
| <b>5/2 - Externally Piloted</b>        |                       |              |                                                                               |                      |              |                                                  |            |                                     |            |                           |                          |             |
| 1/4"                                   | 8562A101H131          | -            | Single Solenoid/Spring Return                                                 | Straight             | 2.0 (1.7)    | 0                                                | 150 (10.3) | 25 (1.7)                            | 150 (10.3) | 200 (93)                  | 3.61 (1.64)              | 13          |
| 1/4"                                   | 8562A102H131          | -            | Single Solenoid, Palm Button /Spring Return                                   | Straight             | 2.0 (1.7)    | 0                                                | 150 (10.3) | 25 (1.7)                            | 150 (10.3) | 200 (93)                  | 3.92 (1.78)              | 14          |
| 1/4"                                   | 8562A104H131          | -            | Single Solenoid With Latching/Spring Return                                   | Straight             | 2.0 (1.7)    | 0                                                | 150 (10.3) | 25 (1.7)                            | 150 (10.3) | 200 (93)                  | 3.96 (1.8)               | 15          |
| 1/4"                                   | 8562A105H131          | -            | Single Solenoid, Palm Button With Latching/Spring Return                      | Straight             | 2.0 (1.7)    | 0                                                | 150 (10.3) | 25 (1.7)                            | 150 (10.3) | 200 (93)                  | 3.99 (1.81)              | 16          |
| 1/4"                                   | 8562A102H131          | -            | Single Solenoid, Palm Button /Spring Return                                   | 90° Solenoid         | 2.0 (1.7)    | 0                                                | 150 (10.3) | 25 (1.7)                            | 150 (10.3) | 200 (93)                  | 4.38 (1.99)              | 18          |
| 1/4"                                   | 8562A104H131          | -            | Single Solenoid With Latching/Spring Return                                   | 90° Solenoid         | 2.0 (1.7)    | 0                                                | 150 (10.3) | 25 (1.7)                            | 150 (10.3) | 200 (93)                  | 5.11 (2.32)              | 19          |
| 1/4"                                   | 8562A105H131          | -            | Single Solenoid, Palm Button With Latching/Spring Return                      | 90° Solenoid         | 2.0 (1.7)    | 0                                                | 150 (10.3) | 25 (1.7)                            | 150 (10.3) | 200 (93)                  | 5.04 (2.29)              | 20          |
| 1/4"                                   | 8562A101H131          | -            | Single Solenoid/Spring Return                                                 | 90° Solenoid         | 2.0 (1.7)    | 0                                                | 150 (10.3) | 25 (1.7)                            | 150 (10.3) | 200 (93)                  | 4.43 (2.01)              | 17          |
| 1/4"                                   | -                     | 8562BA01H131 | Single Solenoid/Spring Return                                                 | 90° Solenoid         | 1.8 (1.55)   | 0                                                | 150 (10.3) | 40 (2.8)                            | 150 (10.3) | 200 (93)                  | 2.55 (1.16)              | 40          |
| 1/4"                                   | 8562A141H131          | -            | Solenoid, Manual Lever Return, Latches In Energized Position                  | 90° Solenoid         | 2.0 (1.7)    | 0                                                | 150 (10.3) | 25 (1.7)                            | 150 (10.3) | 200 (93)                  | 4.06 (1.84)              | 34          |
| 1/4"                                   | -                     | 8562BA41H131 | Solenoid, Manual Lever Return, Latches In Energized Position                  | 90° Solenoid         | 1.8 (1.55)   | 0                                                | 150 (10.3) | 25 (1.7)                            | 150 (10.3) | 200 (93)                  | 3.52 (1.60)              | 36          |
| 1/4"                                   | 8562A161H131          | -            | Solenoid Spring Return, Latches In Energized Position                         | 90° Solenoid         | 2.0 (1.7)    | 0                                                | 150 (10.3) | 25 (1.7)                            | 150 (10.3) | 200 (93)                  | 4.06 (1.84)              | 34          |
| 1/4"                                   | -                     | 8562BA61H131 | Solenoid Spring Return, Latches In Energized Position                         | 90° Solenoid         | 1.8 (1.55)   | 0                                                | 150 (10.3) | 40 (2.8)                            | 150 (10.3) | 200 (93)                  | 3.52 (1.60)              | 36          |
| 1/4"                                   | 8562A181H131          | -            | Solenoid Spring Return, Latches In De-energized Position - No Voltage Release | 90° Solenoid         | 2.0 (1.7)    | 0                                                | 150 (10.3) | 25 (1.7)                            | 150 (10.3) | 200 (93)                  | 4.06 (1.84)              | 34          |
| 1/4"                                   | -                     | 8562BA81H131 | Solenoid Spring Return, Latches In De-energized Position - No Voltage Release | 90° Solenoid         | 1.8 (1.55)   | 0                                                | 150 (10.3) | 40 (2.8)                            | 150 (10.3) | 200 (93)                  | 3.52 (1.60)              | 36          |
| 3/8"                                   | 8562A201H131          | -            | Single Solenoid/Spring Return                                                 | 90° Solenoid         | 4.0 (3.5)    | 0                                                | 200 (13.8) | 40 (2.8)                            | 150 (10.3) | 200 (93)                  | 3.98 (1.8)               | 26          |
| 3/8"                                   | 8562A241H131          | -            | Solenoid, Manual Lever Return, Latches In Energized Position                  | 90° Solenoid         | 4.0 (3.5)    | 0                                                | 200 (13.8) | 40 (2.8)                            | 150 (10.3) | 200 (93)                  | 3.75 (1.70)              | 38          |
| 3/8"                                   | 8562A261H131          | -            | Solenoid Spring Return, Latches In Energized Position                         | 90° Solenoid         | 4.0 (3.5)    | 0                                                | 200 (13.8) | 40 (2.8)                            | 150 (10.3) | 200 (93)                  | 3.75 (1.70)              | 38          |
| 3/8"                                   | 8562A281H131          | -            | Solenoid Spring Return, Latches In De-energized Position - No Voltage Release | 90° Solenoid         | 4.0 (3.5)    | 0                                                | 200 (13.8) | 40 (2.8)                            | 150 (10.3) | 200 (93)                  | 3.75 (1.70)              | 38          |
| 3/8"                                   | -                     | 8562AC01H131 | Single Solenoid/Spring Return                                                 | 90° Solenoid         | 4.0 (3.5)    | 0                                                | 200 (13.8) | 40 (2.8)                            | 150 (10.3) | 200 (93)                  | 4.72 (2.14)              | 26          |
| 3/8"                                   | -                     | 8562AC41H131 | Solenoid, Manual Lever Return, Latches In Energized Position                  | 90° Solenoid         | 4.0 (3.5)    | 0                                                | 200 (13.8) | 40 (2.8)                            | 150 (10.3) | 200 (93)                  | 4.58 (2.08)              | 38          |
| 3/8"                                   | -                     | 8562AC61H131 | Solenoid Spring Return, Latches In Energized Position                         | 90° Solenoid         | 4.0 (3.5)    | 0                                                | 200 (13.8) | 40 (2.8)                            | 150 (10.3) | 200 (93)                  | 4.58 (2.08)              | 38          |
| 3/8"                                   | -                     | 8562AC81H131 | Solenoid Spring Return, Latches In De-energized Position - No Voltage Release | 90° Solenoid         | 4.0 (3.5)    | 0                                                | 200 (13.8) | 40 (2.8)                            | 150 (10.3) | 200 (93)                  | 4.58 (2.08)              | 38          |
| 1/2"                                   | 8562A301H131          | -            | Single Solenoid/Spring Return                                                 | 90° Solenoid         | 5.8 (5.0)    | 0                                                | 200 (13.8) | 40 (2.8)                            | 150 (10.3) | 200 (93)                  | 3.87 (1.75)              | 26          |
| 1/2"                                   | 8562A341H131          | -            | Solenoid, Manual Lever Return, Latches In Energized Position                  | 90° Solenoid         | 5.8 (5.0)    | 0                                                | 200 (13.8) | 40 (2.8)                            | 150 (10.3) | 200 (93)                  | 3.75 (1.70)              | 38          |
| 1/2"                                   | 8562A361H131          | -            | Solenoid Spring Return, Latches In Energized Position                         | 90° Solenoid         | 5.8 (5.0)    | 0                                                | 200 (13.8) | 40 (2.8)                            | 150 (10.3) | 200 (93)                  | 3.75 (1.70)              | 38          |
| 1/2"                                   | 8562A381H131          | -            | Solenoid Spring Return, Latches In De-energized Position - No Voltage Release | 90° Solenoid         | 5.8 (5.0)    | 0                                                | 200 (13.8) | 40 (2.8)                            | 150 (10.3) | 200 (93)                  | 3.75 (1.70)              | 38          |
| 1/2"                                   | -                     | 8562AD01H131 | Single Solenoid/Spring Return                                                 | 90° Solenoid         | 5.3 (4.6)    | 0                                                | 200 (13.8) | 40 (2.8)                            | 150 (10.3) | 200 (93)                  | 4.55 (2.06)              | 26          |
| 1/2"                                   | -                     | 8562AD41H131 | Solenoid, Manual Lever Return, Latches In Energized Position                  | 90° Solenoid         | 5.3 (4.6)    | 0                                                | 200 (13.8) | 40 (2.8)                            | 150 (10.3) | 200 (93)                  | 4.58 (2.08)              | 38          |
| 1/2"                                   | -                     | 8562AD61H131 | Solenoid Spring Return, Latches In Energized Position                         | 90° Solenoid         | 5.3 (4.6)    | 0                                                | 200 (13.8) | 40 (2.8)                            | 150 (10.3) | 200 (93)                  | 4.58 (2.08)              | 38          |
| 1/2"                                   | -                     | 8562AD81H131 | Solenoid Spring Return, Latches In De-energized Position - No Voltage Release | 90° Solenoid         | 5.3 (4.6)    | 0                                                | 200 (13.8) | 40 (2.8)                            | 150 (10.3) | 200 (93)                  | 4.58 (2.08)              | 38          |
| 3/4"                                   | 8562A401H131          | -            | Single Solenoid/Spring Return                                                 | 90° Solenoid         | 13.0 (11.2)  | 0                                                | 200 (13.8) | 50 (3.4)                            | 150 (10.3) | 200 (93)                  | 13.92 (6.31)             | 30          |
| 3/4"                                   | -                     | 8562AE01H131 | Single Solenoid/Spring Return                                                 | 90° Solenoid         | 13.0 (11.2)  | 0                                                | 200 (13.8) | 50 (3.4)                            | 150 (10.3) | 200 (93)                  | 15.5 (7.03)              | 30          |
| 1"                                     | 8562A501H131          | -            | Single Solenoid/Spring Return                                                 | 90° Solenoid         | 15.5 (13.4)  | 0                                                | 200 (13.8) | 50 (3.4)                            | 150 (10.3) | 200 (93)                  | 13.41 (6.08)             | 30          |
| 1"                                     | -                     | 8562AF01H131 | Single Solenoid/Spring Return                                                 | 90° Solenoid         | 15.5 (13.4)  | 0                                                | 200 (13.8) | 50 (3.4)                            | 150 (10.3) | 200 (93)                  | 14.82 (6.72)             | 30          |
| 3/8"                                   | 8362A206H131          | -            | Dual Solenoid                                                                 | 90° Solenoid         | 4.8 (4.1)    | 0                                                | 200 (13.8) | 20 (1.4)                            | 150 (10.3) | 200 (93)                  | 4.56 (2.06)              | 27          |
| 3/8"                                   | -                     | 8362AC06H131 | Dual Solenoid                                                                 | 90° Solenoid         | 4.0 (3.4)    | 0                                                | 200 (13.8) | 20 (1.4)                            | 150 (10.3) | 200 (93)                  | 5.04 (2.28)              | 27          |
| 1/2"                                   | 8362A306H131          | -            | Dual Solenoid                                                                 | 90° Solenoid         | 5.6 (4.8)    | 0                                                | 200 (13.8) | 20 (1.4)                            | 150 (10.3) | 200 (93)                  | 4.49 (2.03)              | 27          |
| 1/2"                                   | -                     | 8362AD06H131 | Dual Solenoid                                                                 | 90° Solenoid         | 5.0 (4.3)    | 0                                                | 200 (13.8) | 20 (1.4)                            | 150 (10.3) | 200 (93)                  | 4.93 (2.23)              | 27          |
| 3/8"                                   | 8562A206H131          | -            | Dual Solenoid                                                                 | 90° Solenoid         | 4.8 (4.1)    | 0                                                | 200 (13.8) | 20 (1.4)                            | 150 (10.3) | 200 (93)                  | 5.12 (2.32)              | 28          |
| 3/8"                                   | -                     | 8562AC06H131 | Dual Solenoid                                                                 | 90° Solenoid         | 4.0 (3.4)    | 0                                                | 200 (13.8) | 20 (1.4)                            | 150 (10.3) | 200 (93)                  | 5.74 (2.6)               | 28          |
| 1/2"                                   | 8562A306H131          | -            | Dual Solenoid                                                                 | 90° Solenoid         | 5.6 (4.8)    | 0                                                | 200 (13.8) | 20 (1.4)                            | 150 (10.3) | 200 (93)                  | 5.01 (2.27)              | 28          |
| 1/2"                                   | -                     | 8562AD06H131 | Dual Solenoid                                                                 | 90° Solenoid         | 5.0 (4.3)    | 0                                                | 200 (13.8) | 20 (1.4)                            | 150 (10.3) | 200 (93)                  | 5.57 (2.52)              | 28          |
| 3/4"                                   | 8362A406H131          | -            | Dual Solenoid                                                                 | 90° Solenoid         | 13.0 (11.2)  | 0                                                | 200 (13.8) | 20 (1.4)                            | 150 (10.3) | 200 (93)                  | 11.77 (5.34)             | 31          |
| 3/4"                                   | -                     | 8362AE06H131 | Dual Solenoid                                                                 | 90° Solenoid         | 13.0 (11.2)  | 0                                                | 200 (13.8) | 20 (1.4)                            | 150 (10.3) | 200 (93)                  | 12.68 (5.75)             | 31          |
| 1"                                     | 8362A506H131          | -            | Dual Solenoid                                                                 | 90° Solenoid         | 15.5 (13.4)  | 0                                                | 200 (13.8) | 20 (1.4)                            | 150 (10.3) | 200 (93)                  | 15.12 (6.86)             | 31          |
| 1"                                     | -                     | 8362AF06H131 | Dual Solenoid                                                                 | 90° Solenoid         | 15.5 (13.4)  | 0                                                | 200 (13.8) | 20 (1.4)                            | 150 (10.3) | 200 (93)                  | 16.71 (7.58)             | 31          |
| 3/4"                                   | 8562A406H131          | -            | Dual Solenoid                                                                 | 90° Solenoid         | 13.0 (11.2)  | 0                                                | 200 (13.8) | 20 (1.4)                            | 150 (10.3) | 200 (93)                  | 14.61 (6.63)             | 32          |
| 3/4"                                   | -                     | 8562AE06H131 | Dual Solenoid                                                                 | 90° Solenoid         | 13.0 (11.2)  | 0                                                | 200 (13.8) | 20 (1.4)                            | 150 (10.3) | 200 (93)                  | 16.73 (7.59)             | 32          |
| 1"                                     | 8562A506H131          | -            | Dual Solenoid                                                                 | 90° Solenoid         | 15.5 (13.4)  | 0                                                | 200 (13.8) | 20 (1.4)                            | 150 (10.3) | 200 (93)                  | 14.45 (6.56)             | 32          |
| 1"                                     | -                     | 8562AF06H131 | Dual Solenoid                                                                 | 90° Solenoid         | 15.5 (13.4)  | 0                                                | 200 (13.8) | 20 (1.4)                            | 150 (10.3) | 200 (93)                  | 16.05 (7.28)             | 32          |
| <b>5/2 - Detent/Internally Piloted</b> |                       |              |                                                                               |                      |              |                                                  |            |                                     |            |                           |                          |             |
| 1/4"                                   | 8562A106H1G1          | -            | Dual Solenoid                                                                 | Straight             | 2.0 (1.7)    | 15 (1.0)                                         | 150 (10.3) | N/A                                 | N/A        | 200 (93)                  | 6.08 (2.76)              | 21          |
| 1/4"                                   | 8562A103H1G1          | -            | Single Solenoid, Palm Button/Manual Return                                    | Straight             | 2.0 (1.7)    | 25 (1.8)                                         | 150 (10.3) | N/A                                 | N/A        | 200 (93)                  | 4.10 (1.86)              | 22          |
| 1/4"                                   | 8562A106H1G1          | -            | Dual Solenoid                                                                 | 90° Solenoid         | 2.0 (1.7)    | 15 (1.0)                                         | 150 (10.3) | N/A                                 | N/A        | 200 (93)                  | 6.08 (2.76)              | 23          |
| 1/4"                                   | -                     | 8562BA06H1G1 | Dual Solenoid                                                                 | 90° Solenoid         | 1.8 (1.55)   | 15 (1.0)                                         | 150 (10.3) | N/A                                 | N/A        | 200 (93)                  | 3.67 (1.67)              | 41          |
| 1/4"                                   | 8562A103H1G1          | -            | Single Solenoid, Palm Button/Manual Return                                    | 90° Solenoid         | 2.0 (1.7)    | 25 (1.8)                                         | 150 (10.3) | N/A                                 | N/A        | 200 (93)                  | 4.10 (1.86)              | 24          |
| <b>5/2 - Detent/Externally Piloted</b> |                       |              |                                                                               |                      |              |                                                  |            |                                     |            |                           |                          |             |
| 1/4"                                   | 8562A106H171          | -            | Dual Solenoid                                                                 | Straight             | 2.0 (1.7)    | 0                                                | 150 (10.3) | 15 (1.0)                            | 150 (10.3) | 200 (93)                  | 6.08 (2.76)              | 21          |
| 1/4"                                   | 8562A103H171          | -            | Single Solenoid, Palm Button/Manual Return                                    | Straight             | 2.0 (1.7)    | 0                                                | 150 (10.3) | 25 (1.8)                            | 150 (10.3) | 200 (93)                  | 4.10 (1.86)              | 22          |
| 1/4"                                   | 8562A106H171          | -            | Dual Solenoid                                                                 | 90° Solenoid         | 2.0 (1.7)    | 0                                                | 150 (10.3) | 15 (1.0)                            | 150 (10.3) | 200 (93)                  | 6.08 (2.76)              | 23          |
| 1/4"                                   | -                     | 8562BA06H171 | Dual Solenoid                                                                 | 90° Solenoid         | 1.8 (1.55)   | 0                                                | 150 (10.3) | 15 (1.0)                            | 150 (10.3) | 200 (93)                  | 3.67 (1.67)              | 42          |
| 1/4"                                   | 8562A103H171          | -            | Single Solenoid, Palm Button/Manual Return                                    | 90° Solenoid         | 2.0 (1.7)    | 0                                                | 150 (10.3) | 25 (1.8)                            | 150 (10.3) | 200 (93)                  | 4.10 (1.86)              | 24          |

① Please refer to the How to Order section to complete base catalog number selection.  
② MOPD values specified are for Compact Low Power versions (1.8 W).  
Please visit our website to obtain MOPD's per all solenoid types.  
③ Maximum fluid temperature cannot exceed solenoid fluid temperature.

④ 1/4", 3/8", and 1/2" brass and stainless steel valves can be used as selector valves with two different input pressures with no change to existing ratings. 3/4" and 1" valves can be used as selectors with LTNBR versions limited to -31°F (-35°C). In a selector valve, one pressure is applied to Port 1 and another pressure applied to Port 3. Operating the valve allows the user to select which input pressure will flow through Port 2. Port 2 will always be pressurized. Consult I&M sheet for more information.

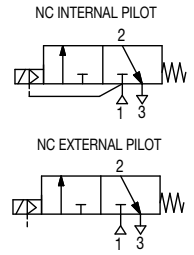
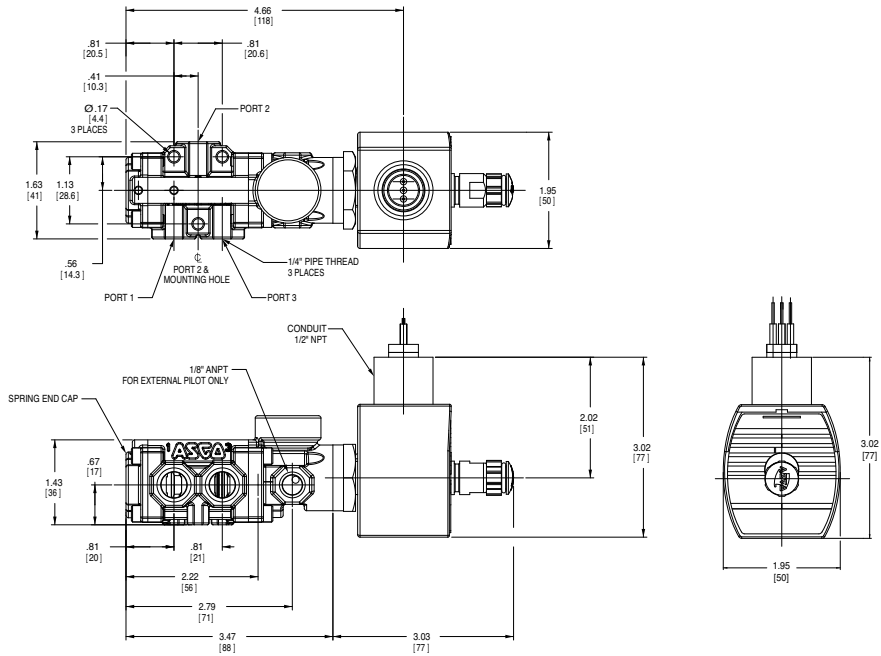
# ASCO™ Spool Valves

Pilot Operated, Explosion-Proof, Low Power Solenoid Valves | 1/4" - 1" NPT

**3/2  
SERIES  
362/562**

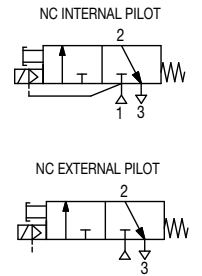
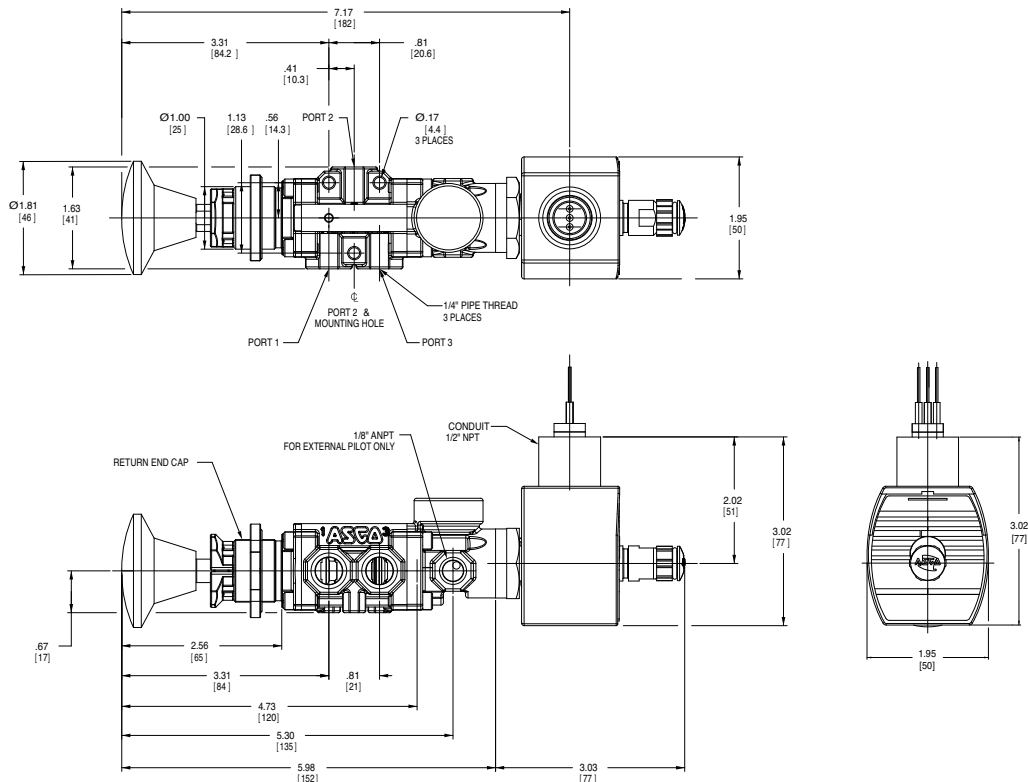
## Dimensions: inches (mm)

**Const. Ref. 1**



**Note:** For Normally Open constructions the operator and return end cap are switched with respect to ports 1 & 3.

**Const. Ref. 2**



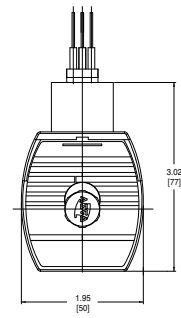
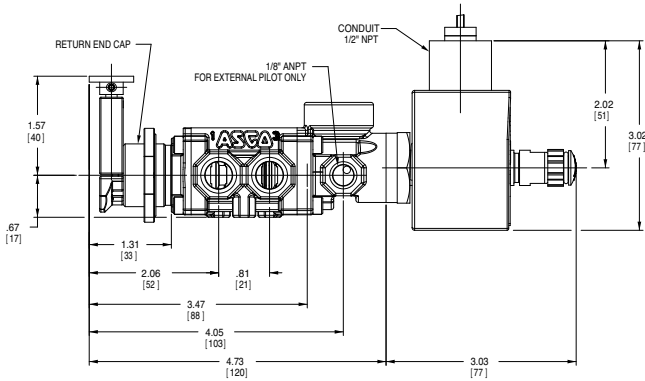
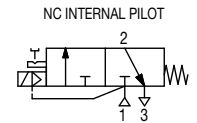
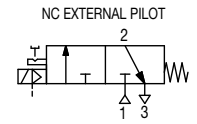
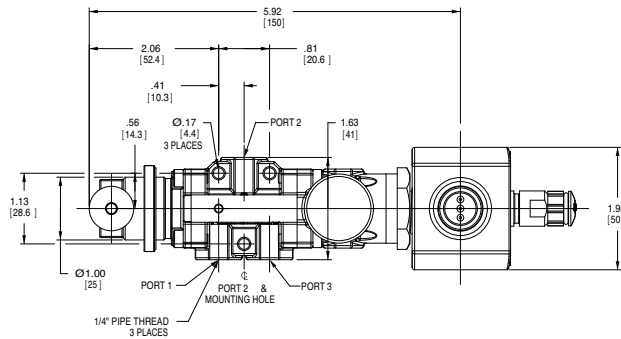
**Note:** For Normally Open constructions the operator and return end cap are switched with respect to ports 1 & 3.

**SPECIAL SERVICE  
PILOT**



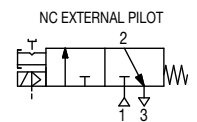
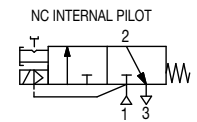
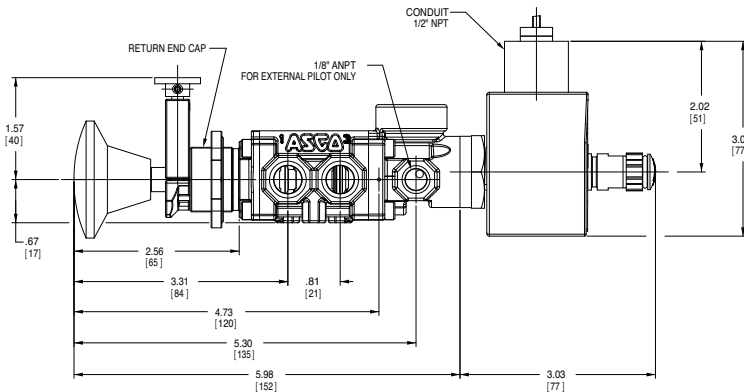
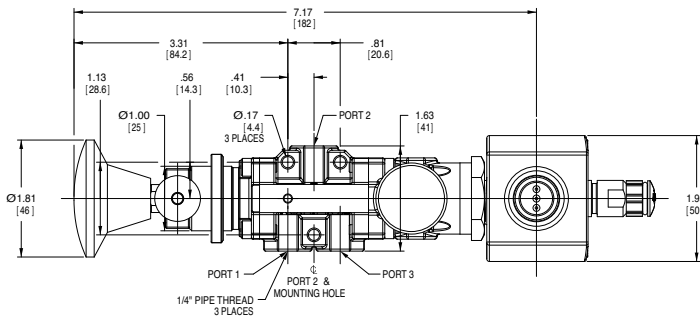
Dimensions: inches (mm)

Const. Ref. 3



Note: For Normally Open constructions the operator and return end cap are switched with respect to ports 1 & 3.

Const. Ref. 4



Note: For Normally Open constructions the operator and return end cap are switched with respect to ports 1 & 3.

SPECIAL SERVICE  
PILOT



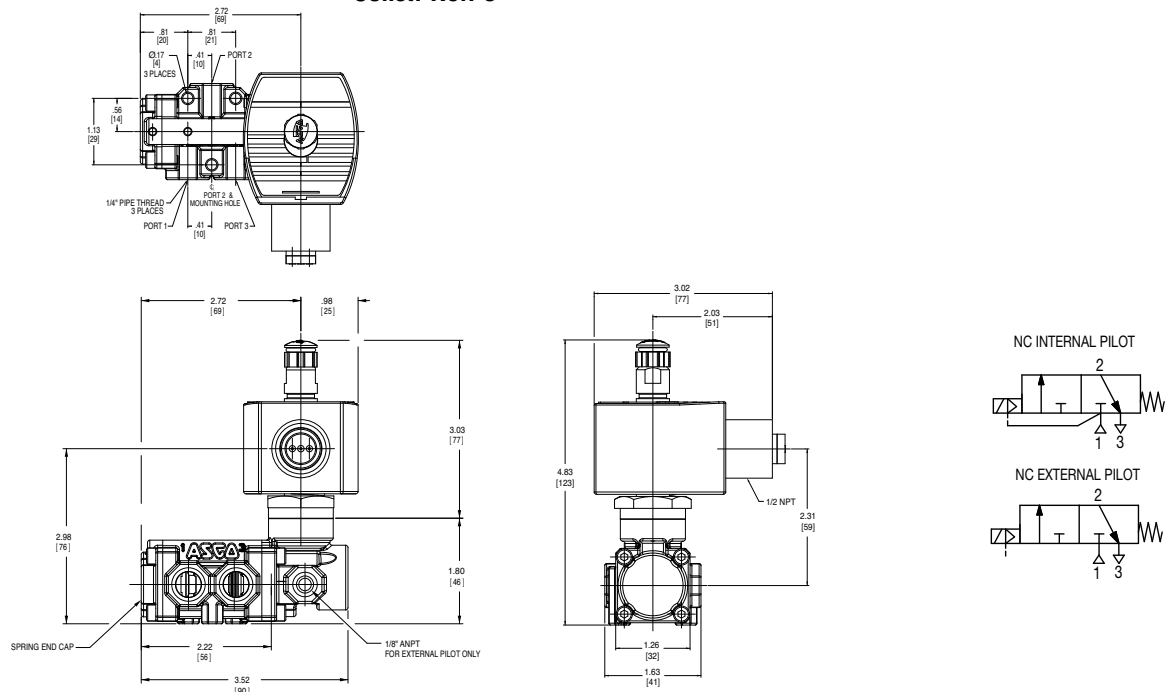
# ASCO™ Spool Valves

Pilot Operated, Explosion-Proof, Low Power Solenoid Valves | 1/4" - 1" NPT

3/2  
SERIES  
362/562

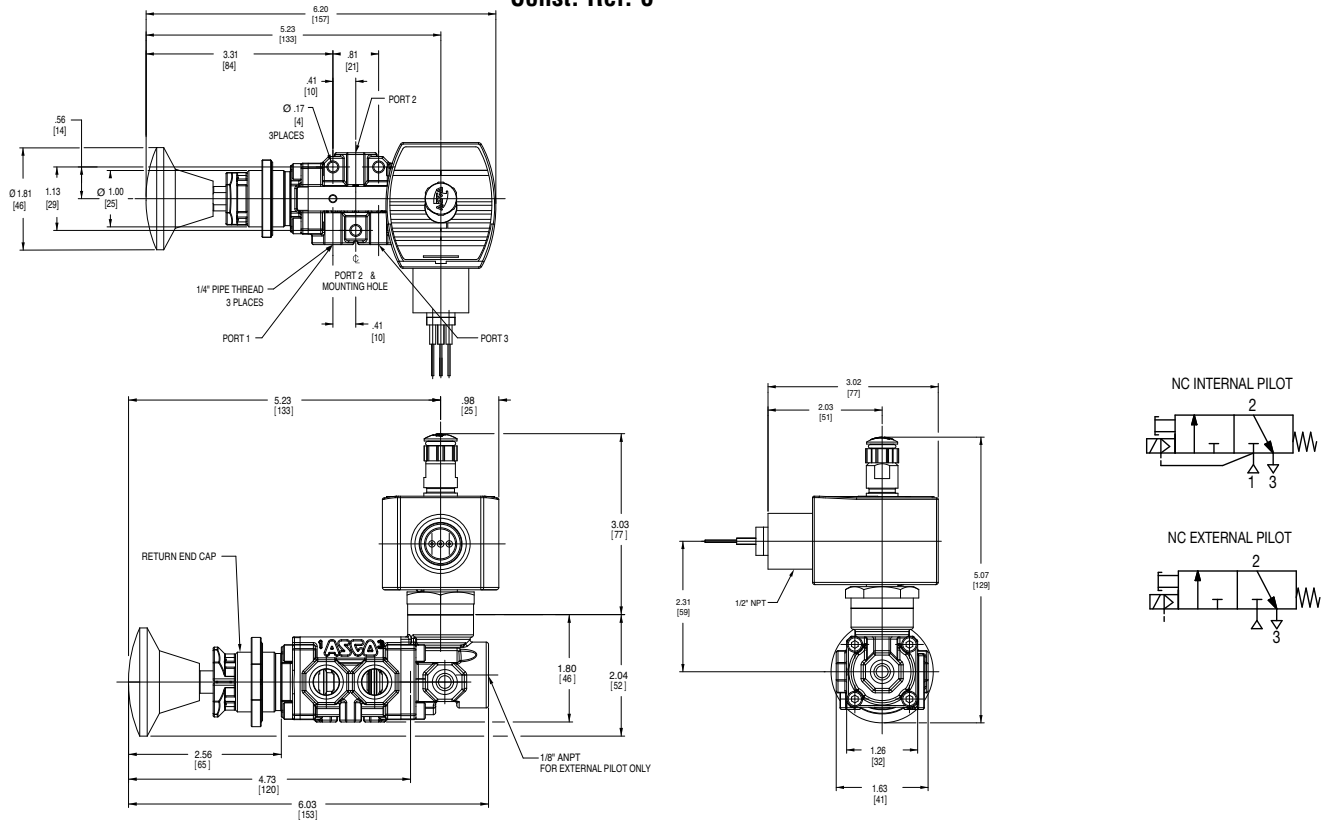
## Dimensions: inches (mm)

Const. Ref. 5



Note: For Normally Open constructions the operator and return end cap are switched with respect to ports 1 & 3.

Const. Ref. 6

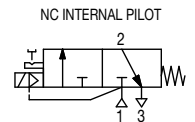
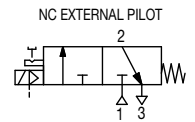
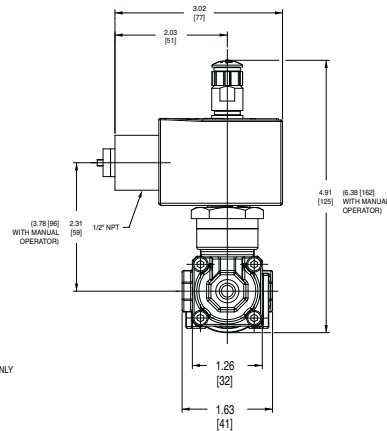
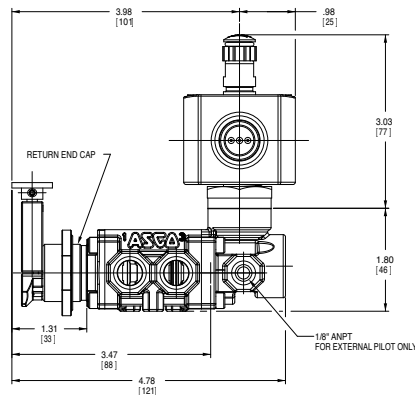
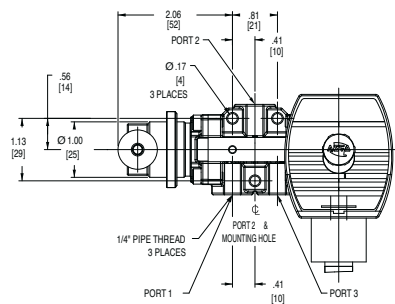


Note: For Normally Open constructions the operator and return end cap are switched with respect to ports 1 & 3.

SPECIAL SERVICE  
PILOT

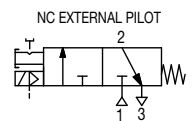
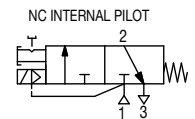
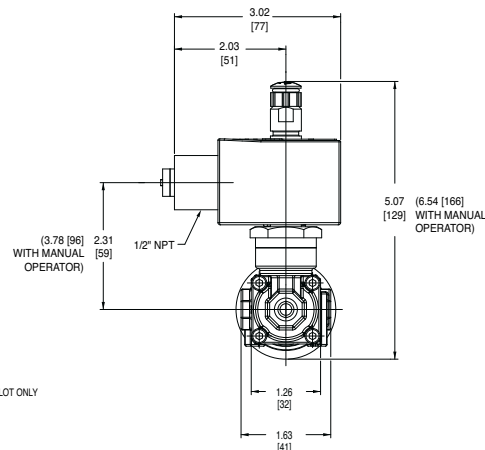
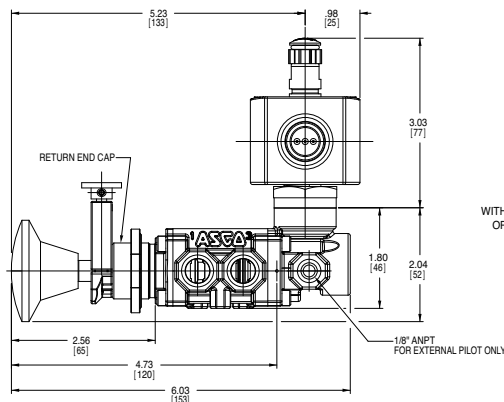
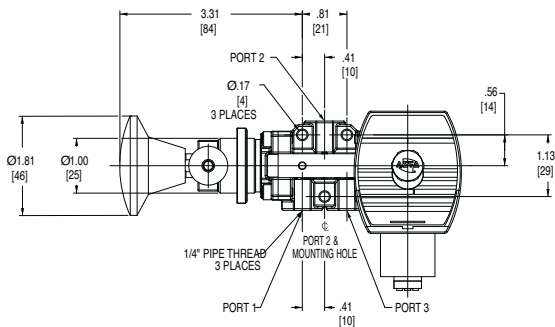
Dimensions: inches (mm)

Const. Ref. 7



Note: For Normally Open constructions the operator and return end cap are switched with respect to ports 1 & 3.

Const. Ref. 8



Note: For Normally Open constructions the operator and return end cap are switched with respect to ports 1 & 3.

SPECIAL SERVICE  
PILOT

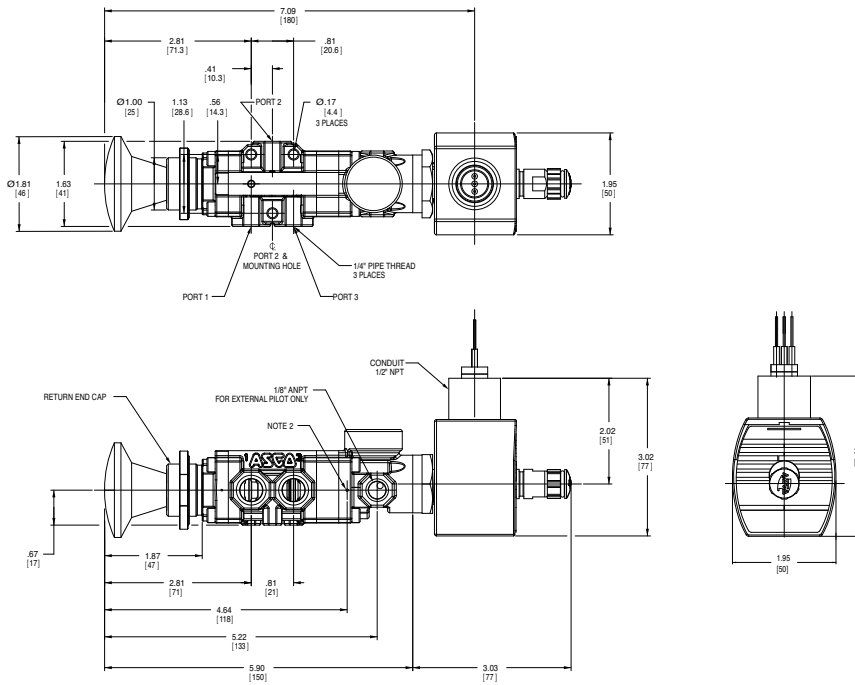
# ASCO™ Spool Valves

Pilot Operated, Explosion-Proof, Low Power Solenoid Valves | 1/4" - 1" NPT

**3/2  
SERIES  
362/562**

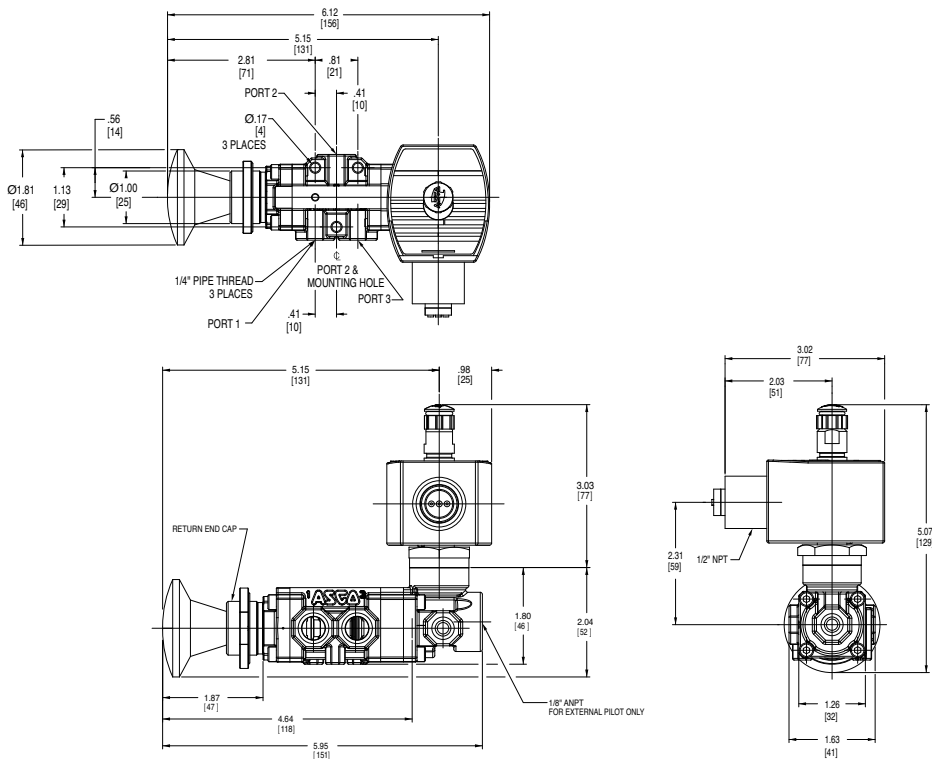
## Dimensions: inches (mm)

### Const. Ref. 9



**Note:** For Normally Open constructions the operator and return end cap are switched with respect to ports 1 & 3.

### Const. Ref. 10

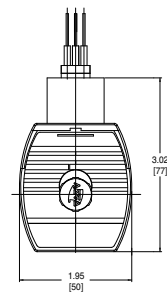
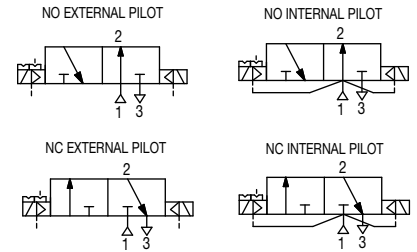
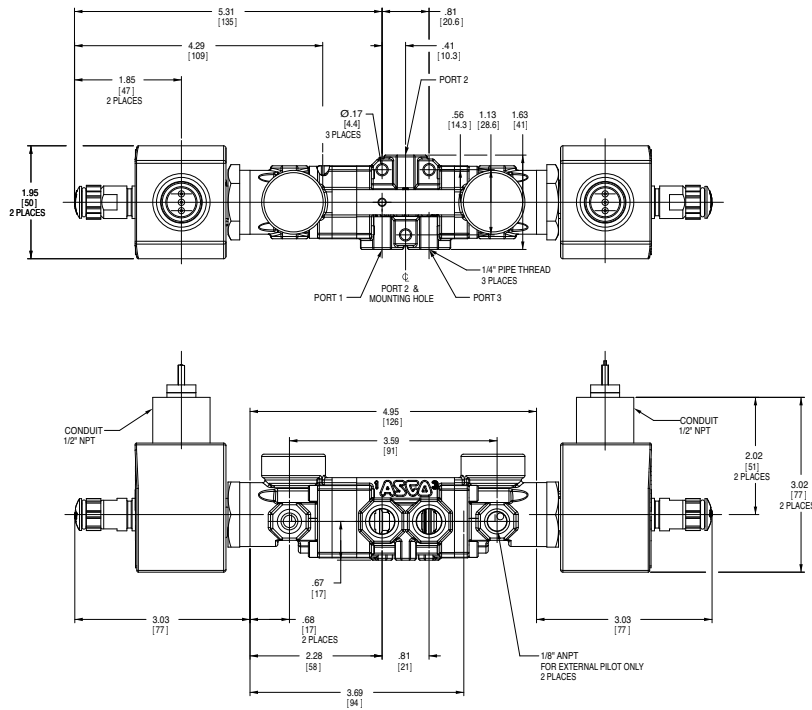


**Note:** For Normally Open constructions the operator and return end cap are switched with respect to ports 1 & 3.

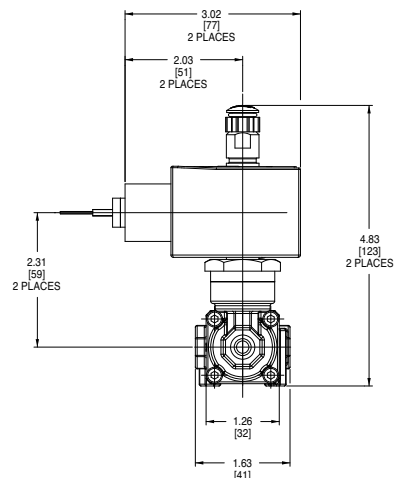
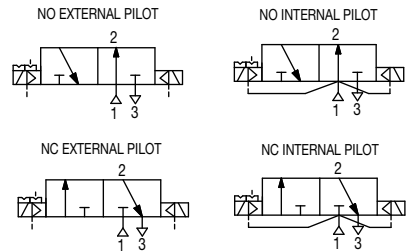
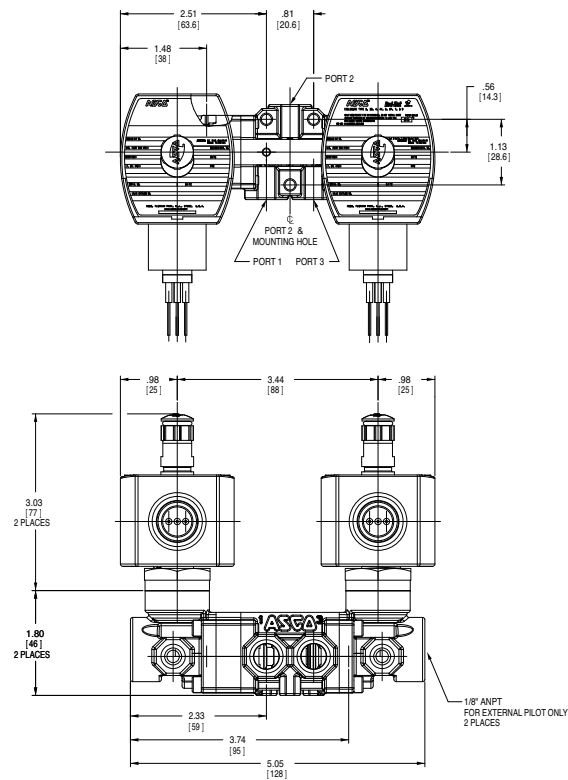
**SPECIAL SERVICE  
PILOT**

Dimensions: inches (mm)

Const. Ref. 11



Const. Ref. 12



SPECIAL SERVICE  
PILOT



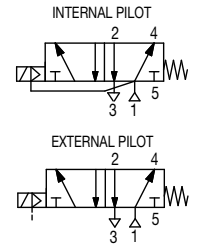
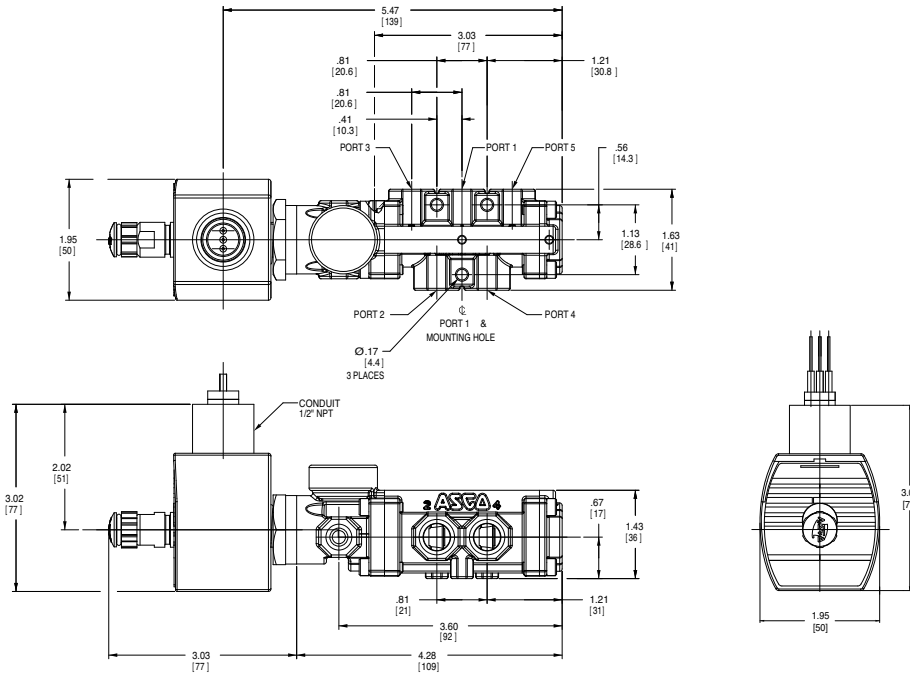
# ASCO™ Spool Valves

Pilot Operated, Explosion-Proof, Low Power Solenoid Valves | 1/4" - 1" NPT

**3/2  
SERIES  
362/562**

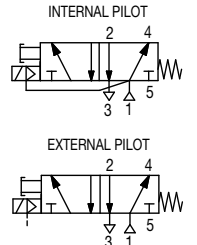
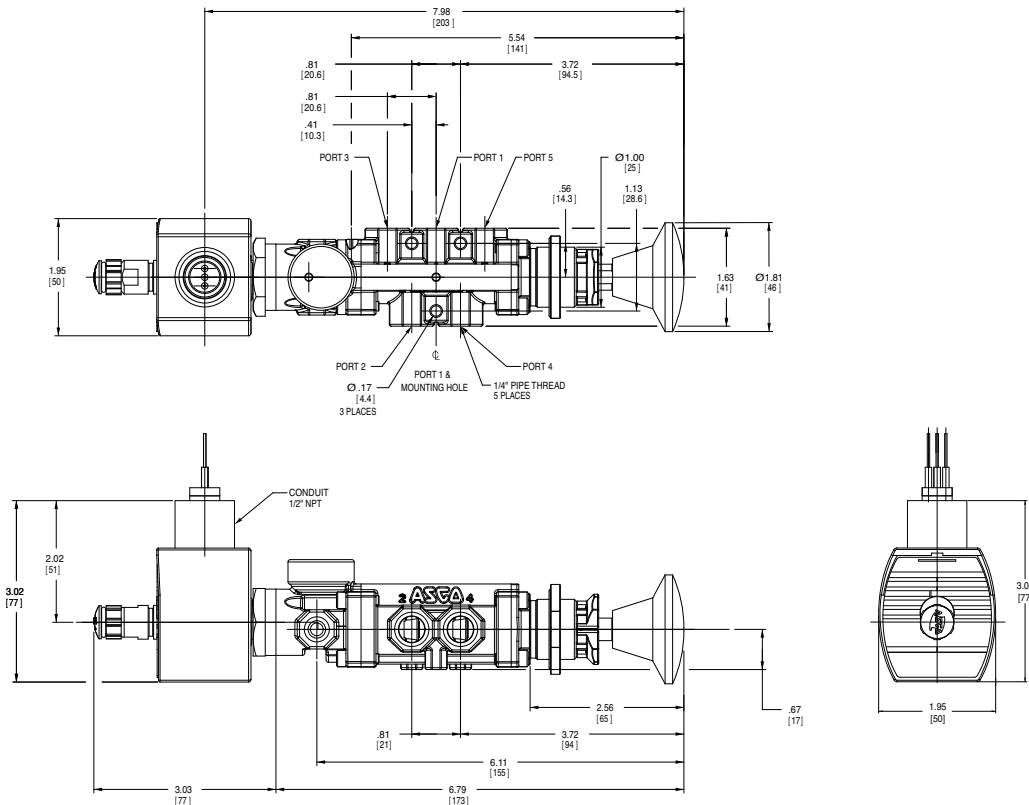
## Dimensions: inches (mm)

### Const. Ref. 13



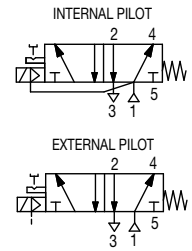
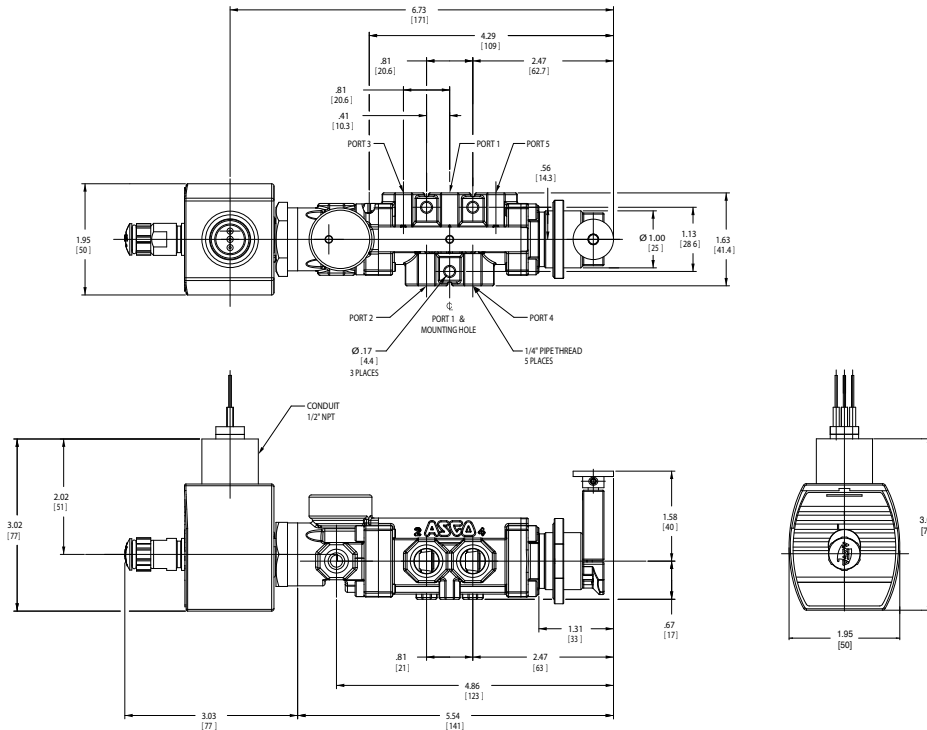
**SPECIAL SERVICE  
PILOT**

### Const. Ref. 14

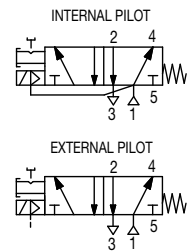
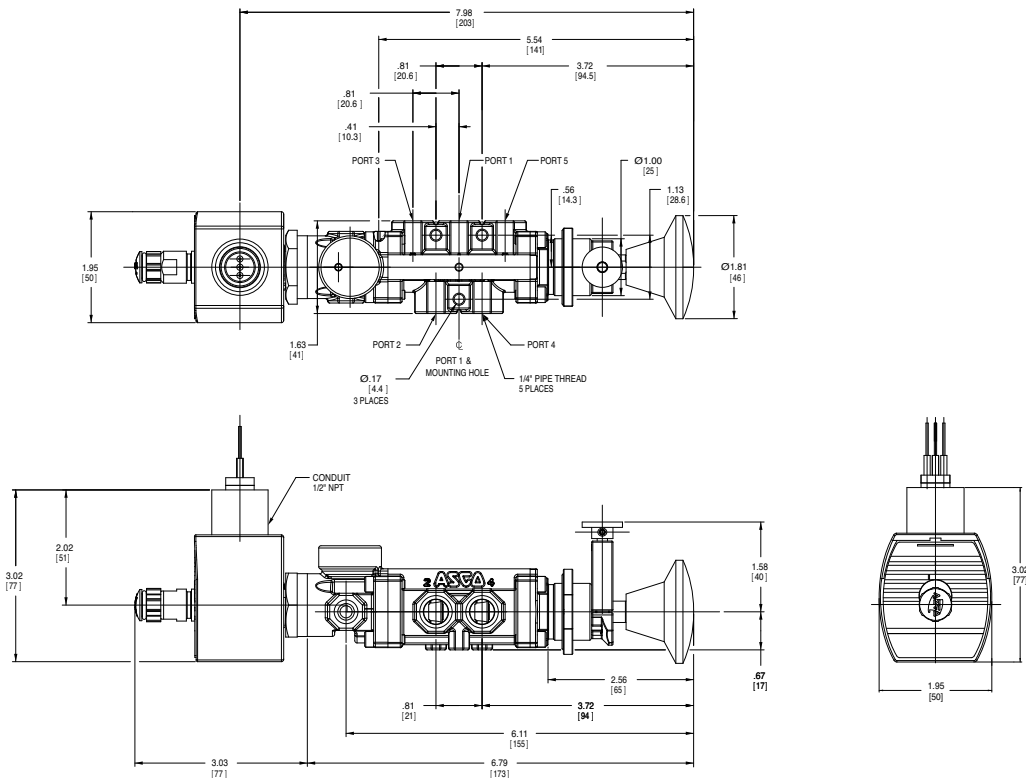


Dimensions: inches (mm)

Const. Ref. 15



Const. Ref. 16



SPECIAL SERVICE  
PILOT

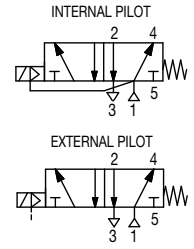
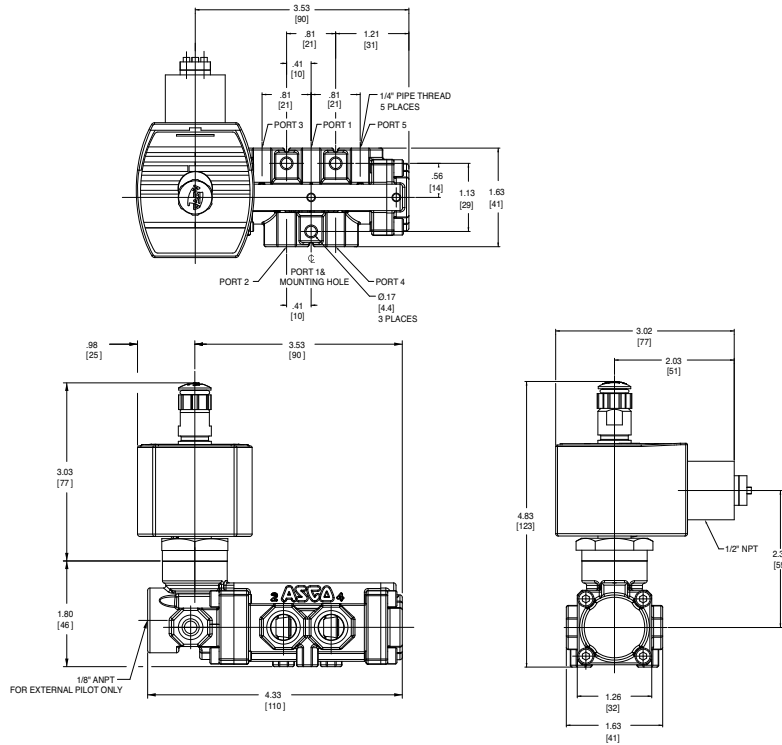
# ASCO™ Spool Valves

Pilot Operated, Explosion-Proof, Low Power Solenoid Valves | 1/4" - 1" NPT

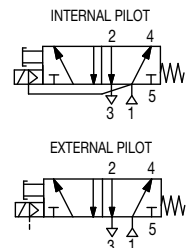
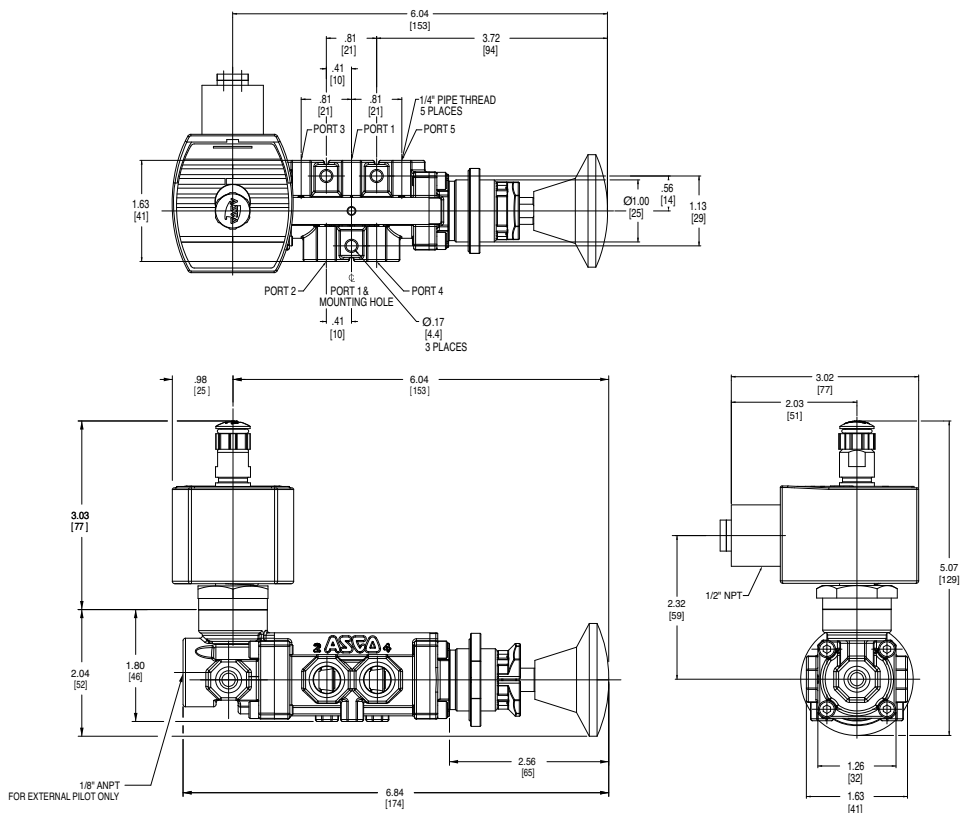
**3/2  
SERIES  
362/562**

**Dimensions: inches (mm)**

**Const. Ref. 17**



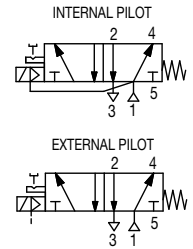
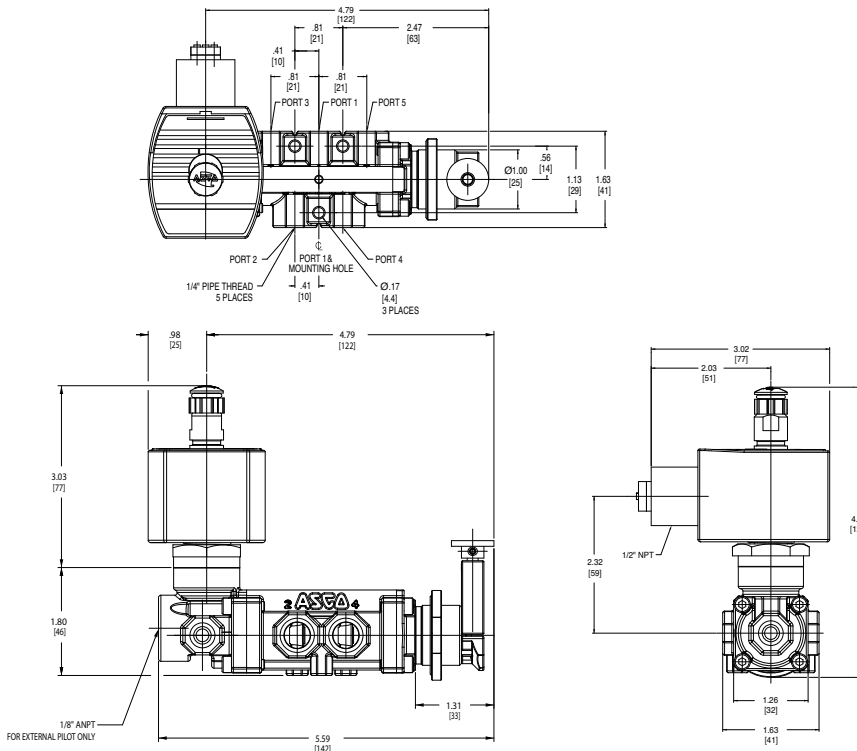
**Const. Ref. 18**



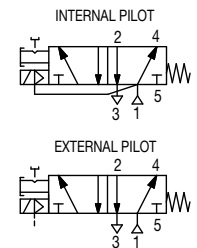
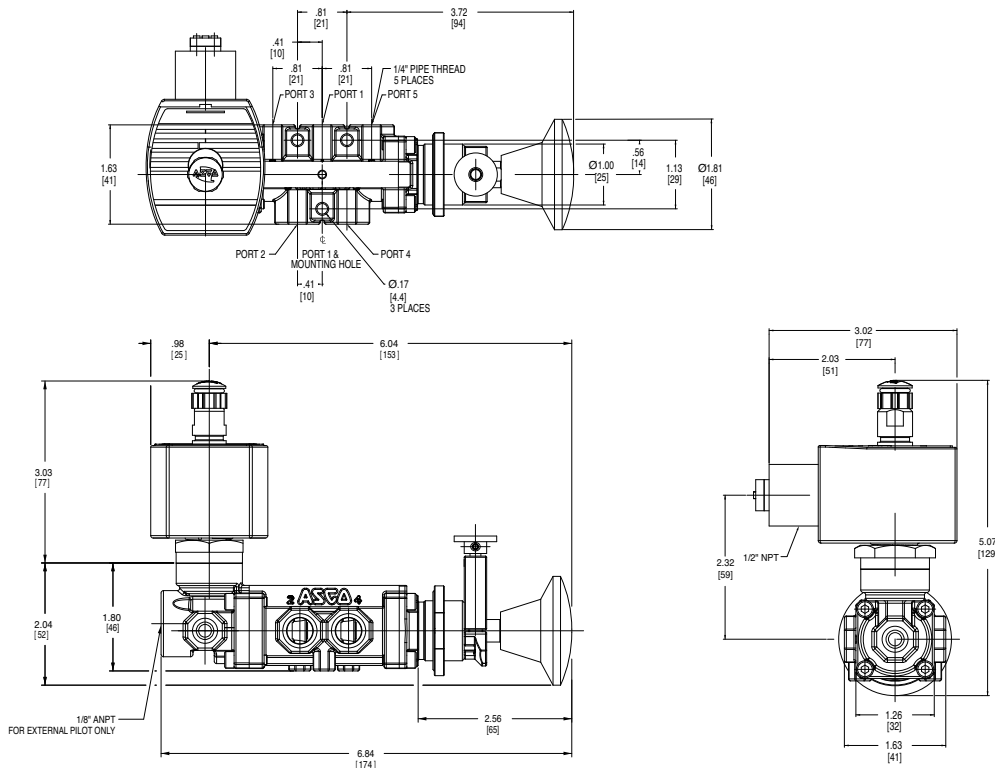
**SPECIAL SERVICE  
PILOT**

Dimensions: inches (mm)

Const. Ref. 19



Const. Ref. 20



SPECIAL SERVICE  
PILOT



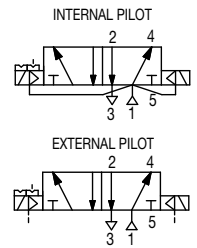
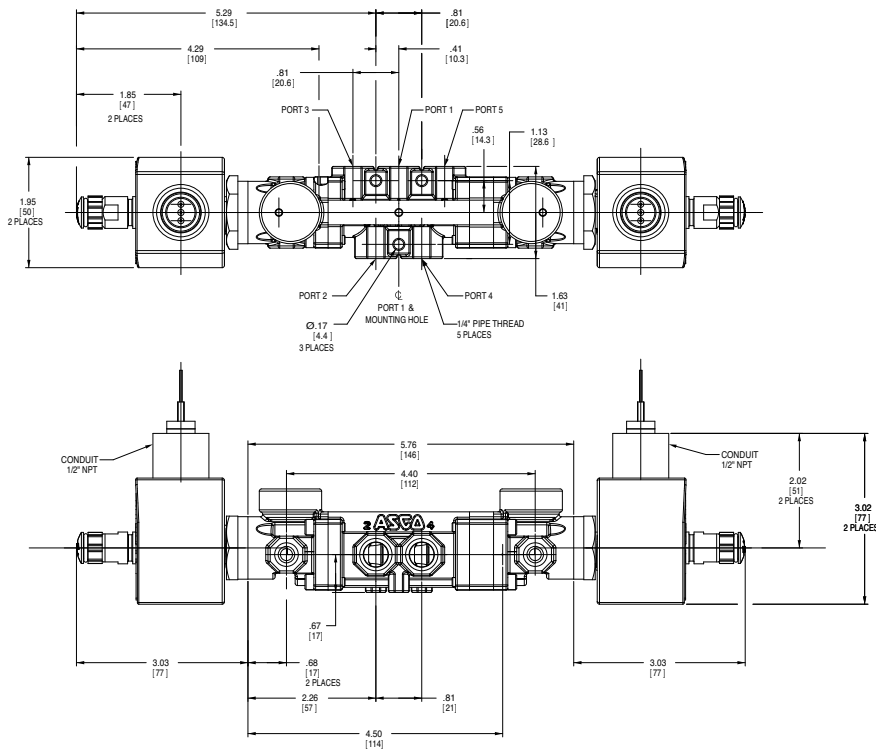
# ASCO™ Spool Valves

Pilot Operated, Explosion-Proof, Low Power Solenoid Valves | 1/4" - 1" NPT

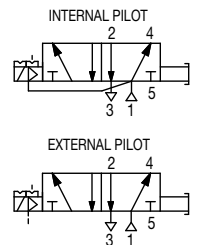
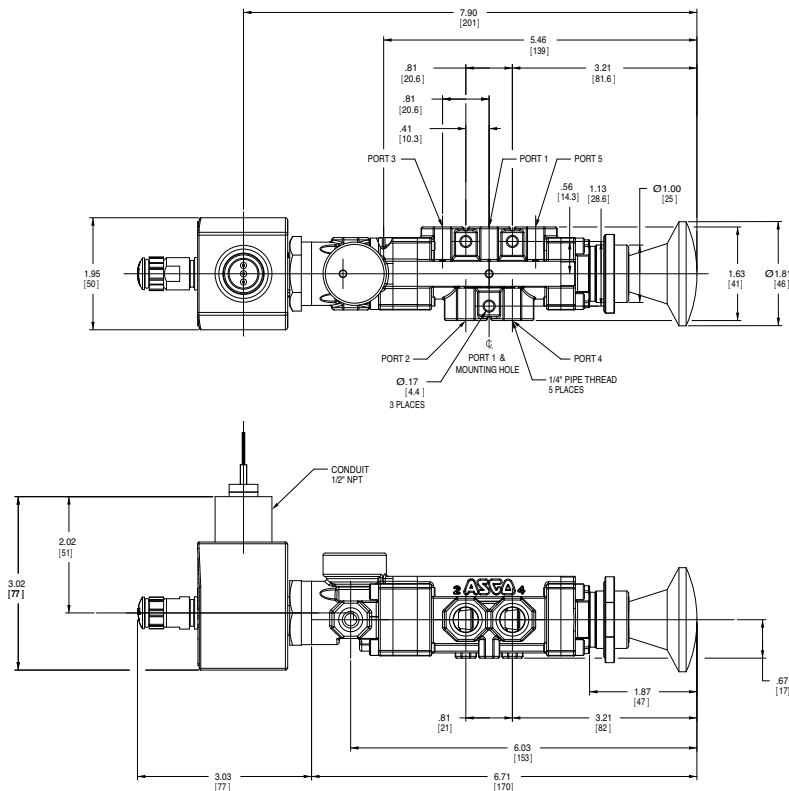
**3/2  
SERIES  
362/562**

## Dimensions: inches (mm)

### Const. Ref. 21



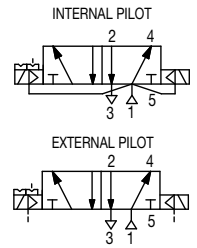
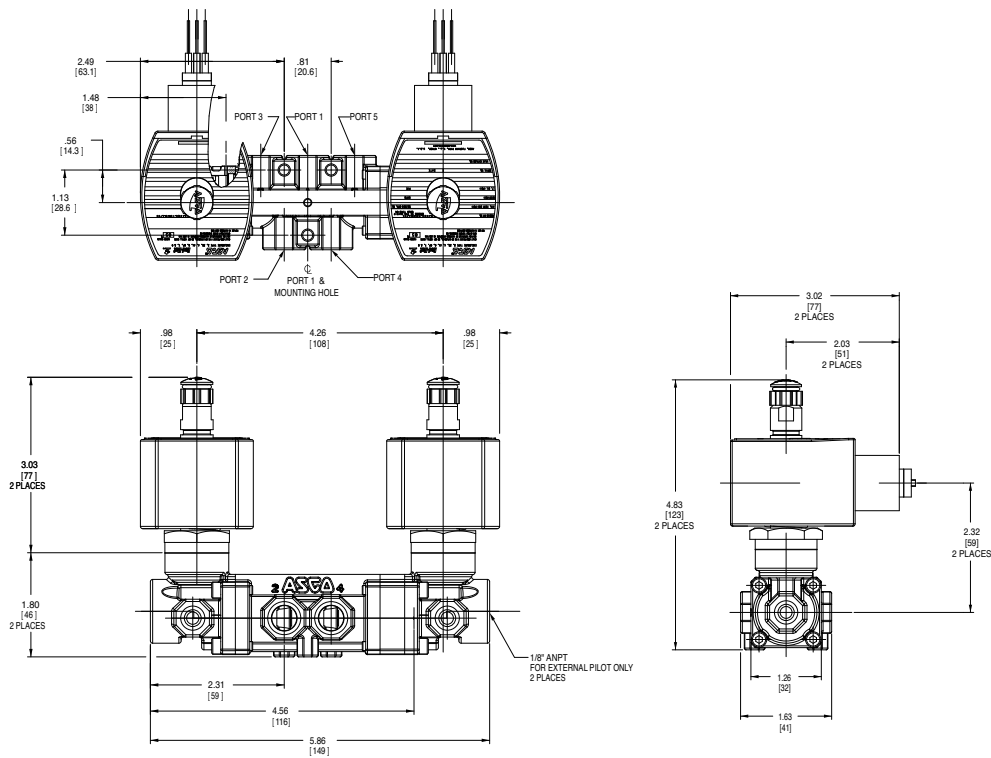
### Const. Ref. 22



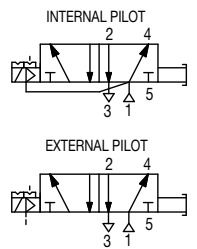
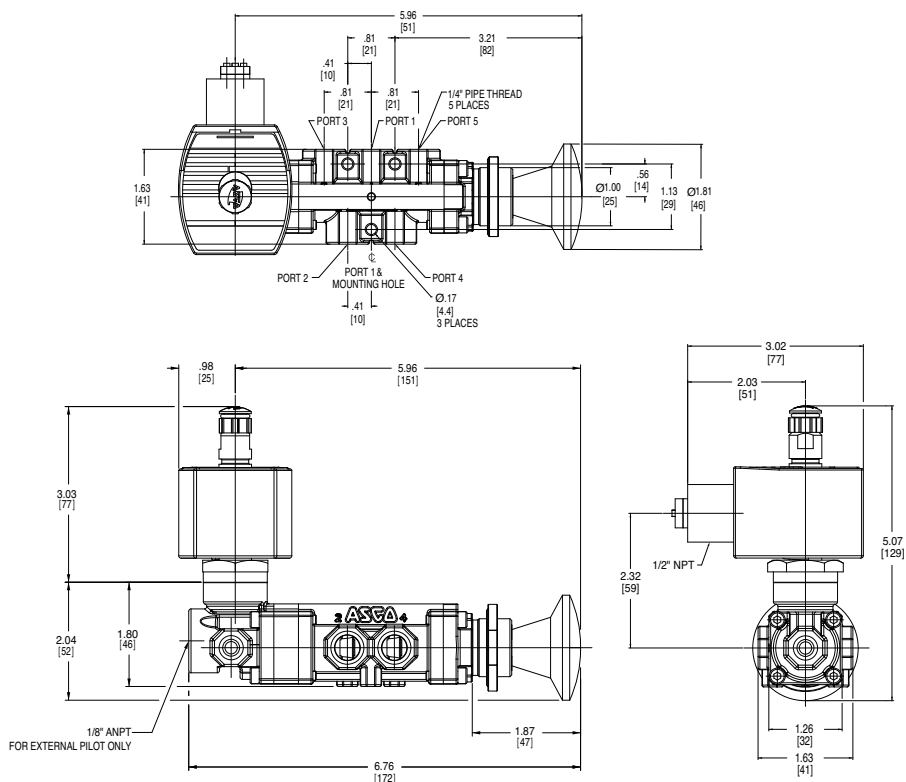
**SPECIAL SERVICE  
PILOT**

Dimensions: inches (mm)

Const. Ref. 23



Const. Ref. 24



SPECIAL SERVICE  
PILOT

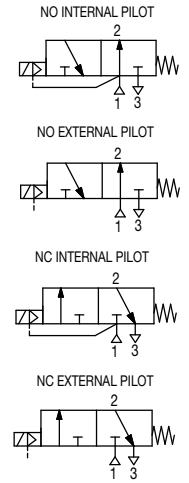
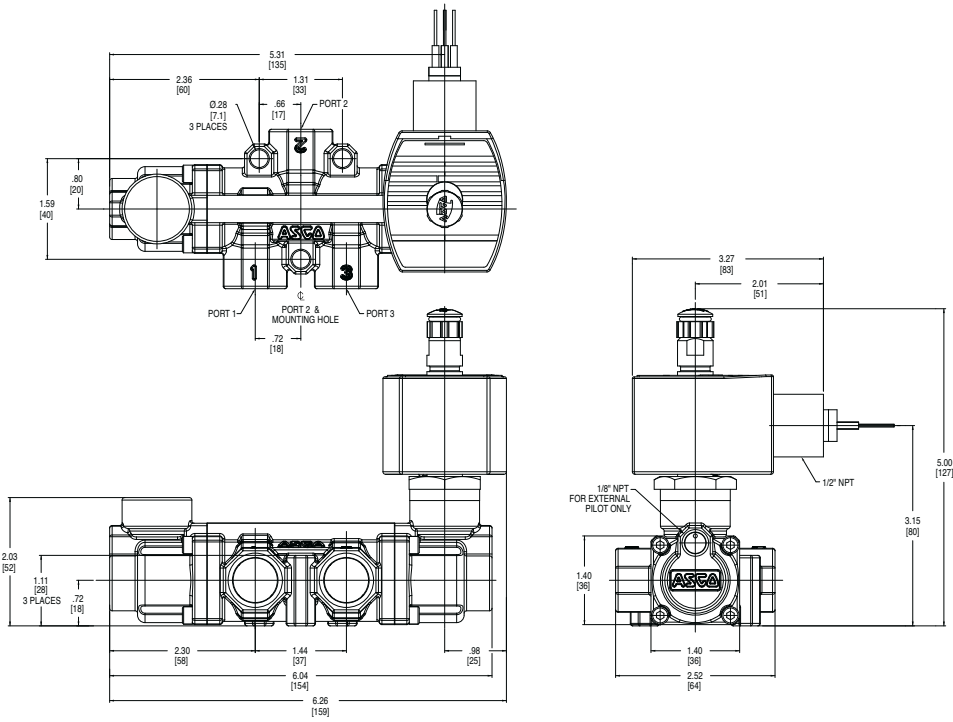
# ASCO™ Spool Valves

Pilot Operated, Explosion-Proof, Low Power Solenoid Valves | 1/4" - 1" NPT

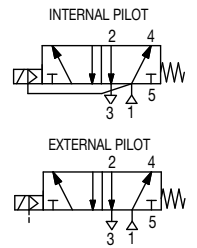
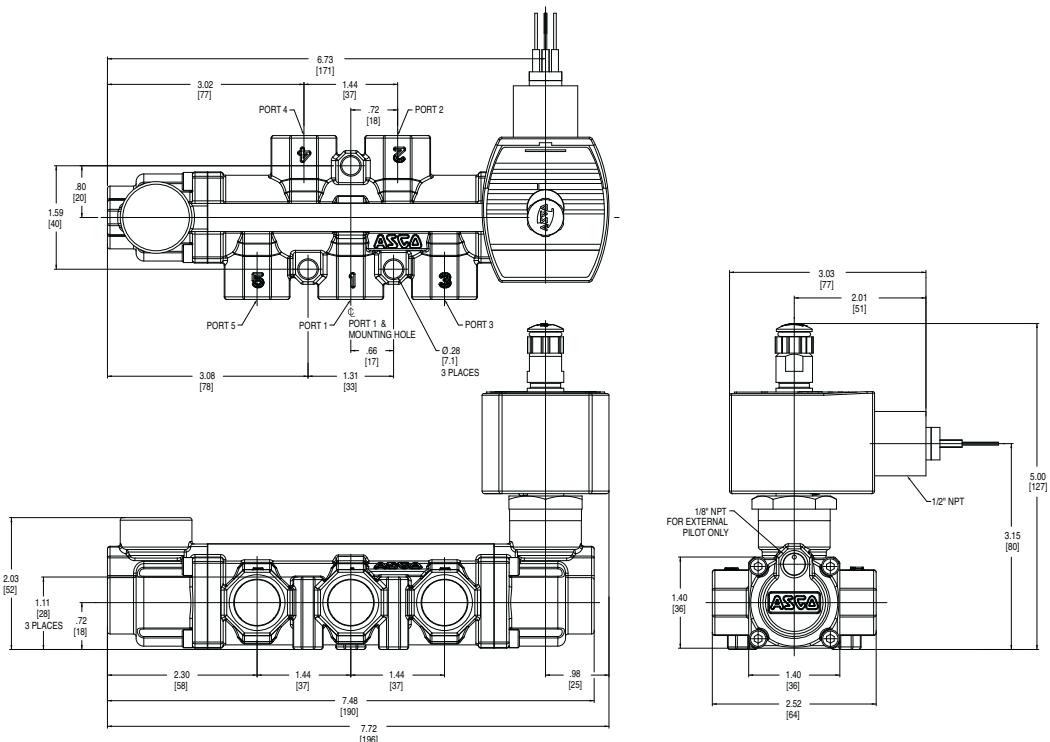
**3/2  
SERIES  
362/562**

## Dimensions: inches (mm)

**Const. Ref. 25**



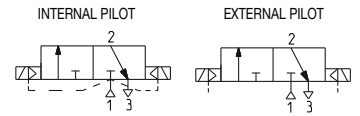
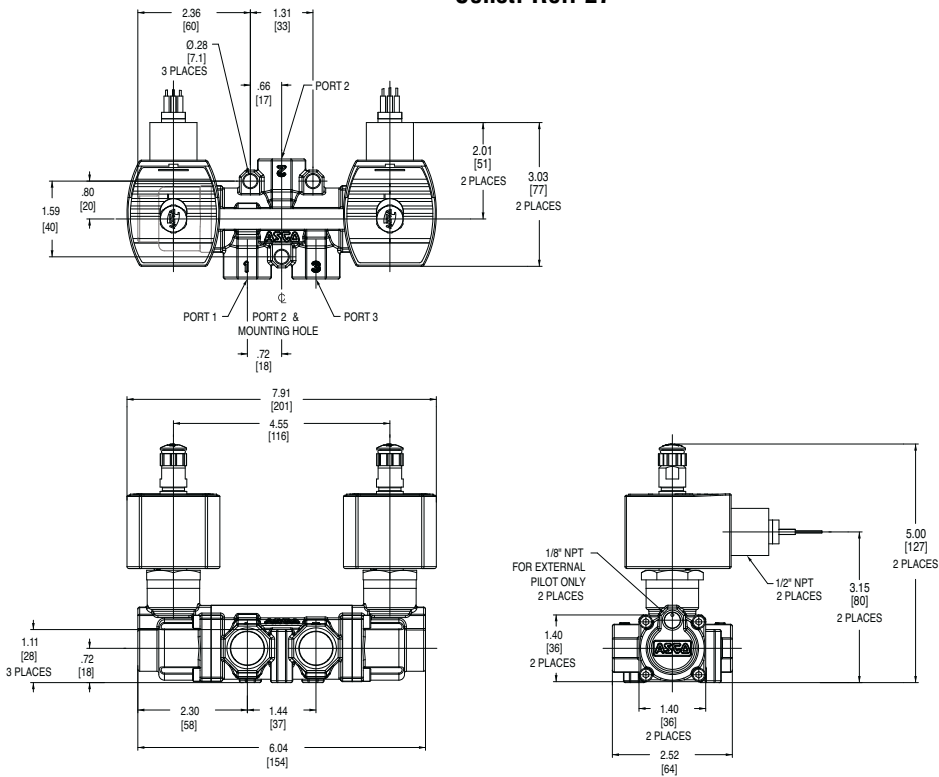
**Const. Ref. 26**



**SPECIAL SERVICE  
PILOT**

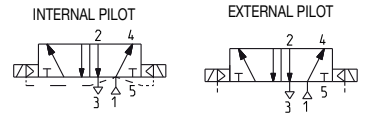
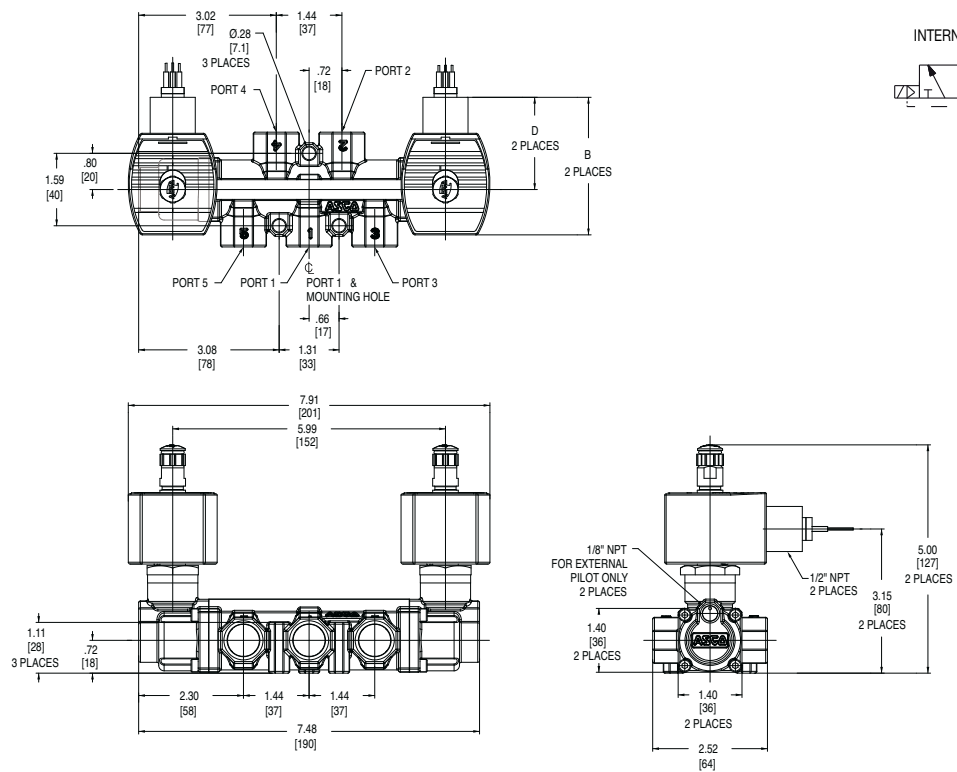
Dimensions: inches (mm)

Const. Ref. 27



SPECIAL SERVICE  
PILOT

Const. Ref. 28





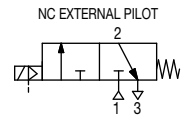
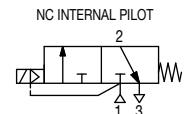
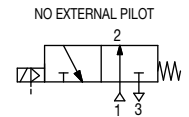
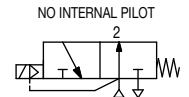
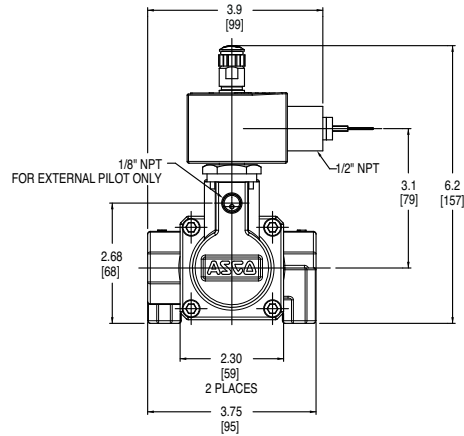
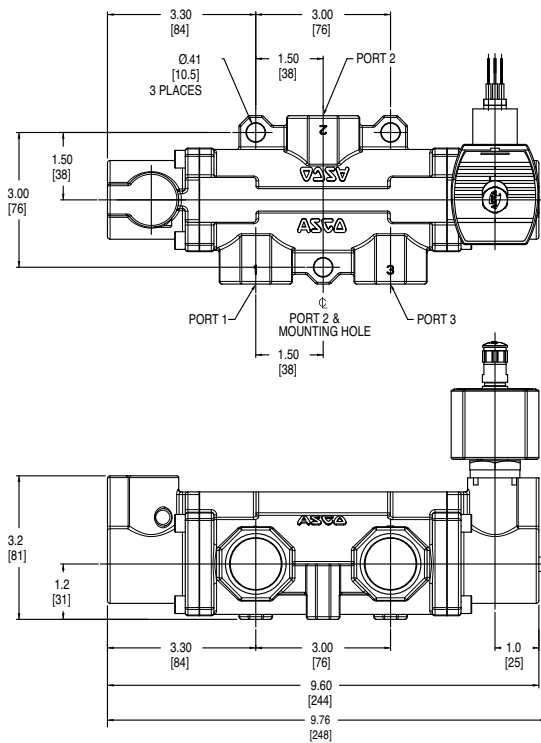
# ASCO™ Spool Valves

Pilot Operated, Explosion-Proof, Low Power Solenoid Valves | 1/4" - 1" NPT

**3/2  
SERIES  
362/562**

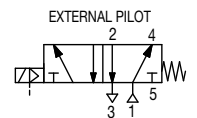
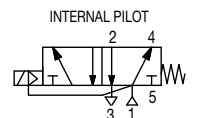
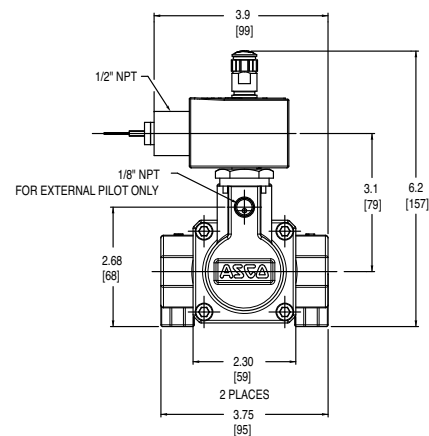
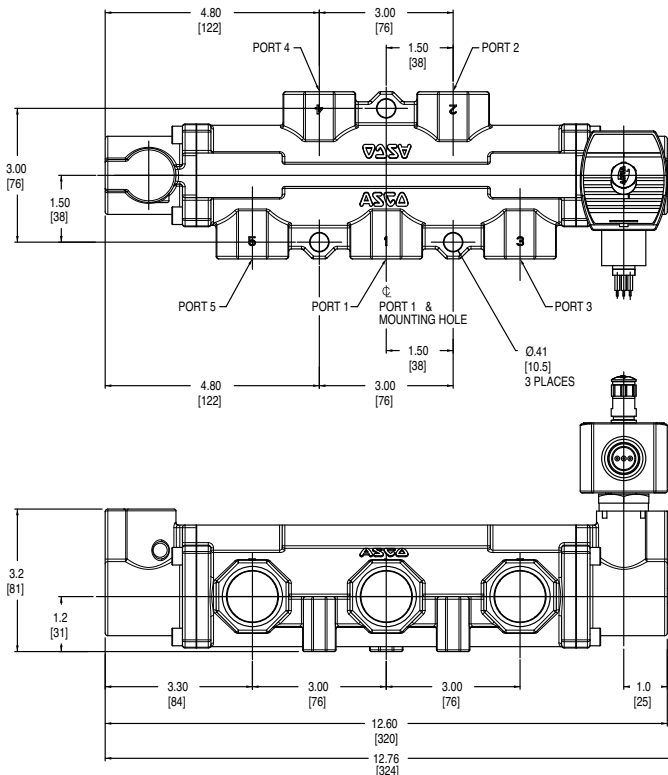
## Dimensions: inches (mm)

**Const. Ref. 29**



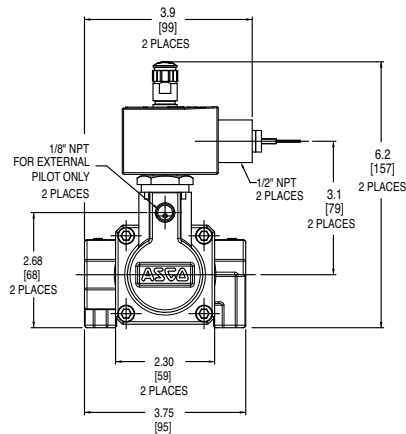
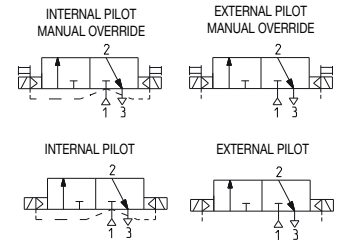
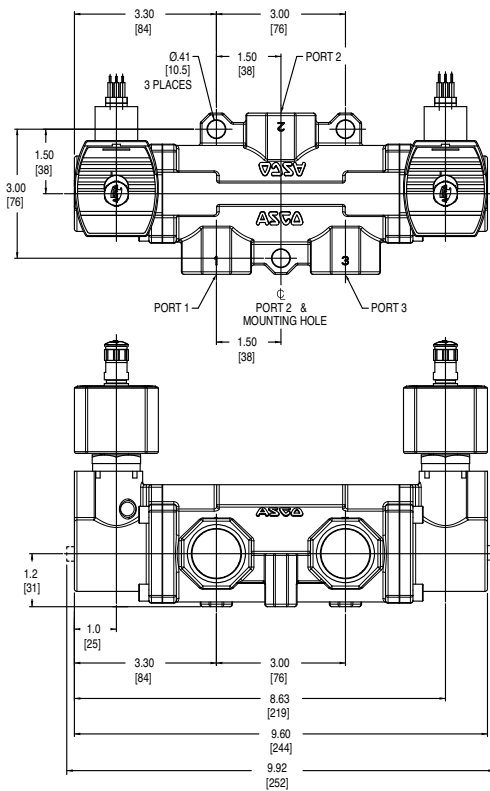
**SPECIAL SERVICE  
PILOT**

**Const. Ref. 30**



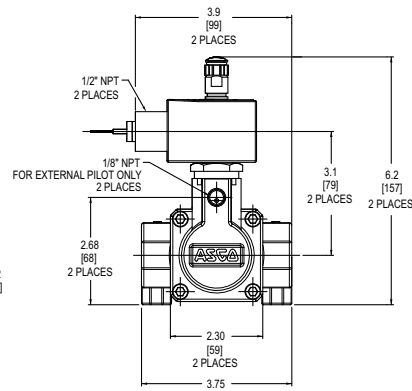
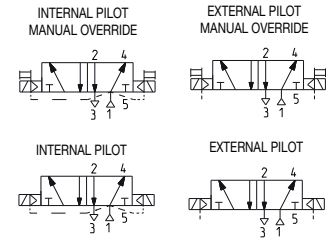
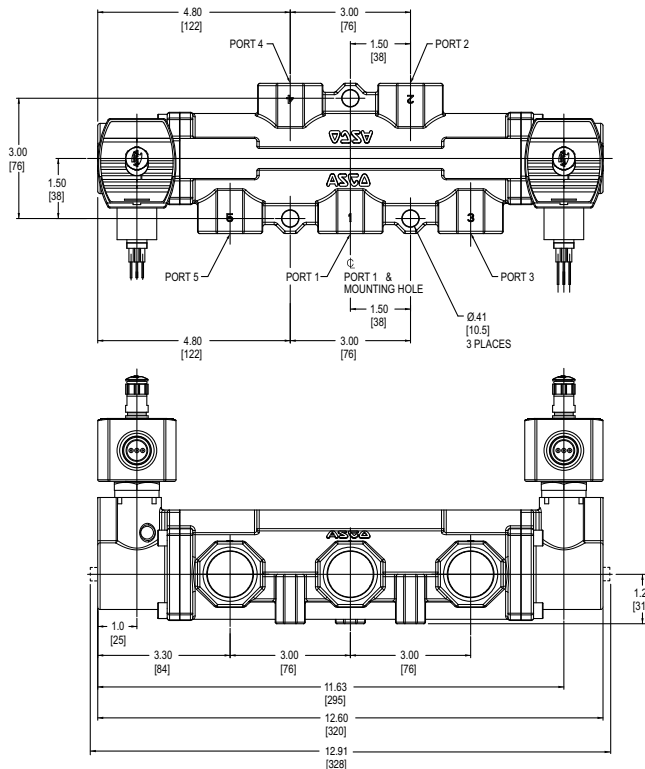
Dimensions: inches (mm)

Const. Ref. 31



SPECIAL SERVICE  
PILOT

Const. Ref. 32



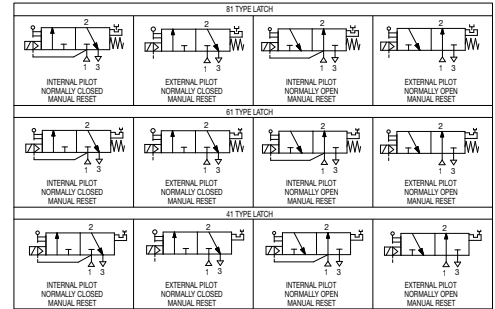
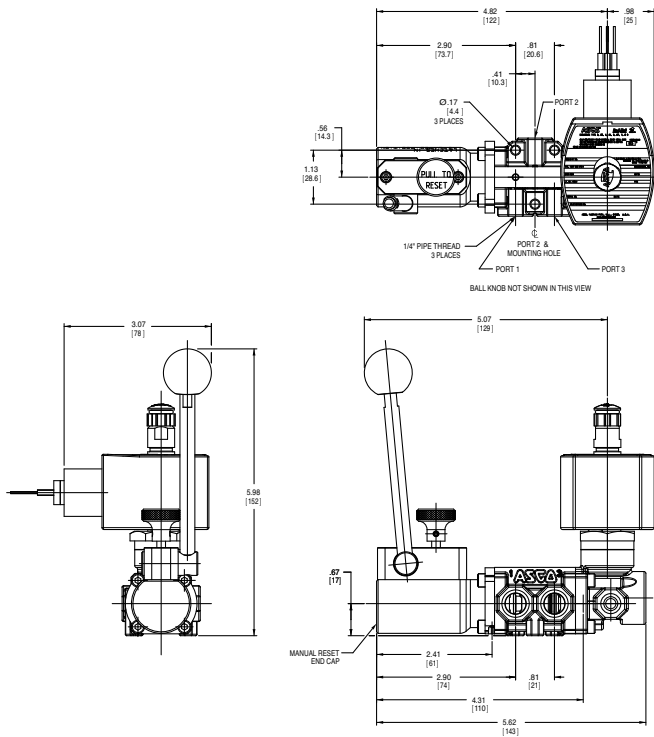
# ASCO™ Spool Valves

Pilot Operated, Explosion-Proof, Low Power Solenoid Valves | 1/4" - 1" NPT

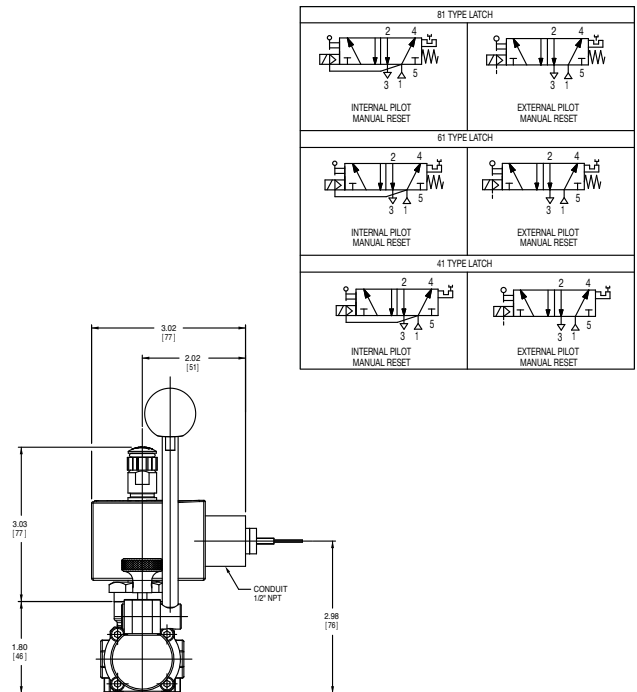
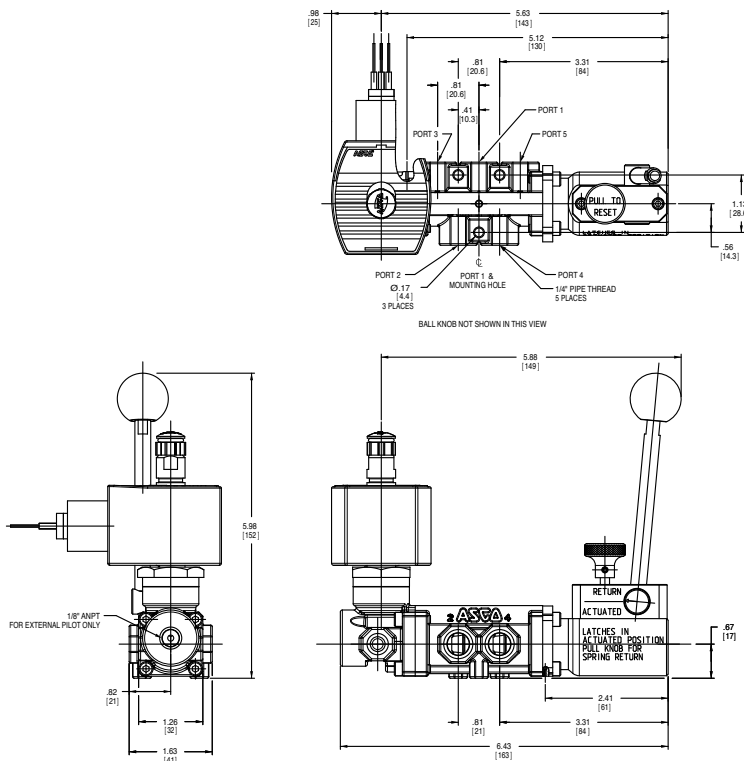
**3/2  
SERIES  
362/562**

**Dimensions: inches (mm)**

**Const. Ref. 33**



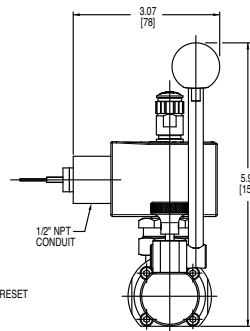
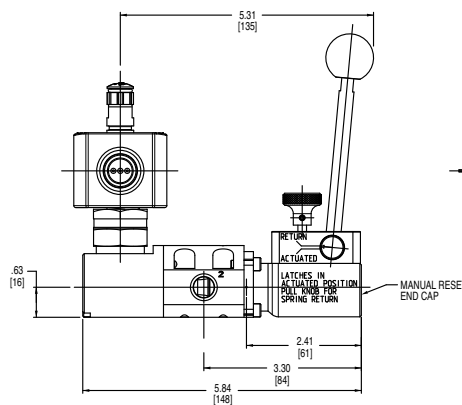
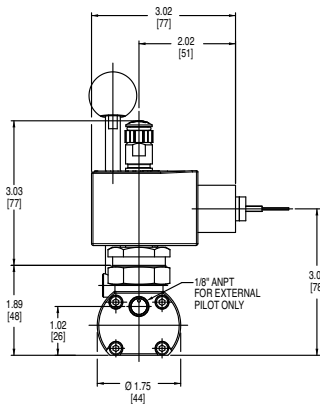
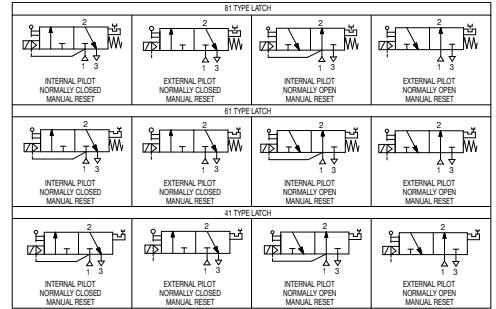
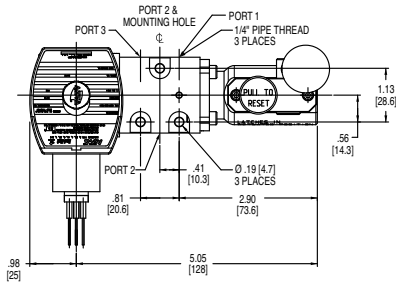
**Const. Ref. 34**



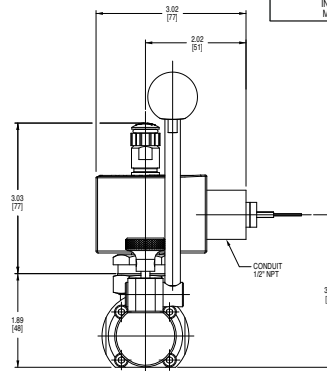
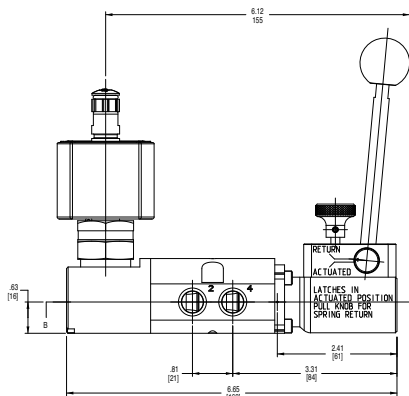
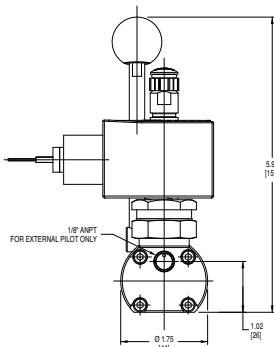
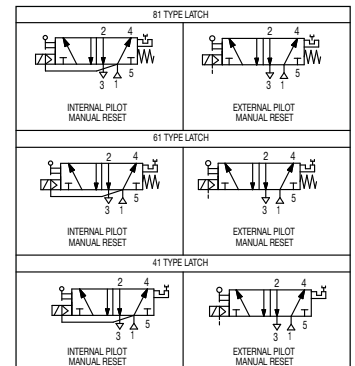
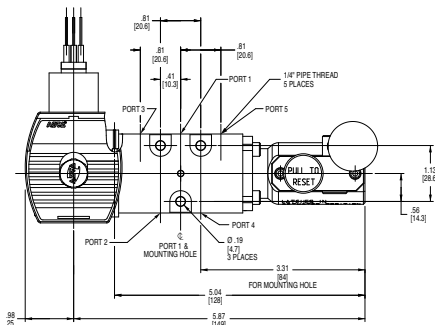
**SPECIAL SERVICE  
PILOT**

Dimensions: inches (mm)

Const. Ref. 35



Const. Ref. 36





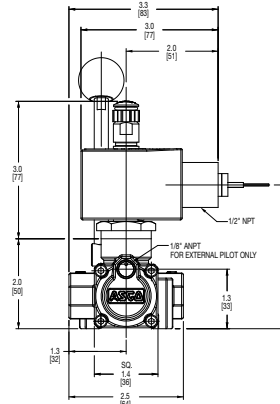
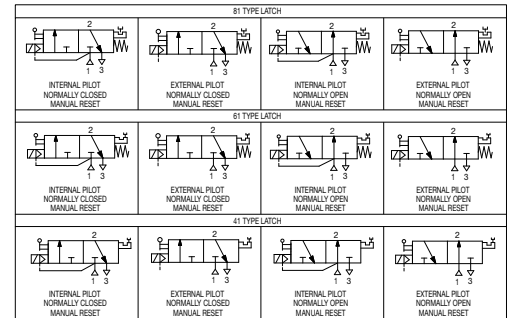
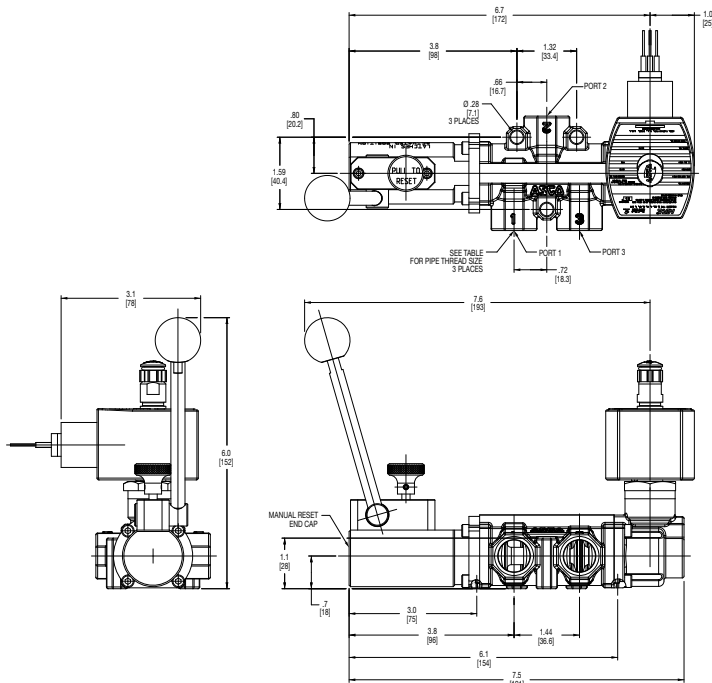
# ASCO™ Spool Valves

Pilot Operated, Explosion-Proof, Low Power Solenoid Valves | 1/4" - 1" NPT

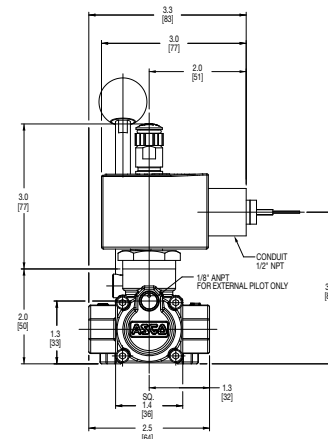
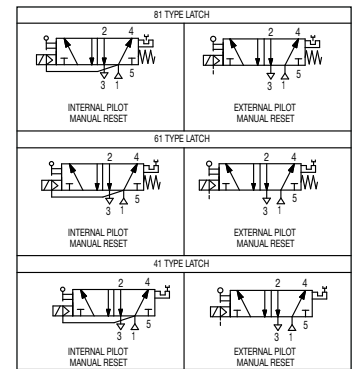
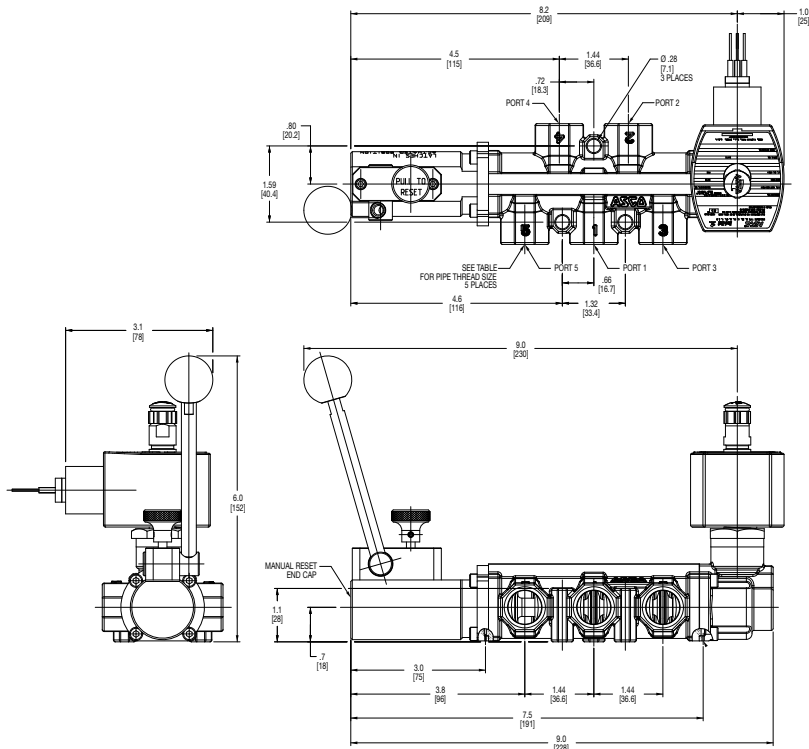
**3/2  
SERIES  
362/562**

**Dimensions: inches (mm)**

**Const. Ref. 37**



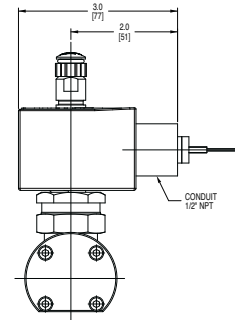
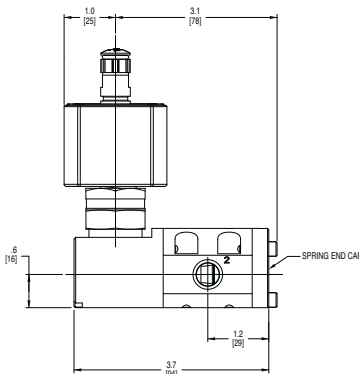
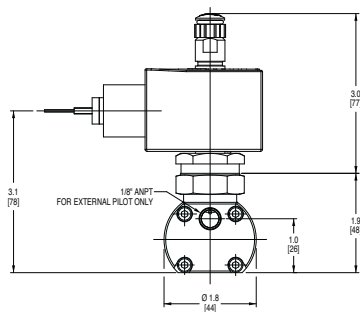
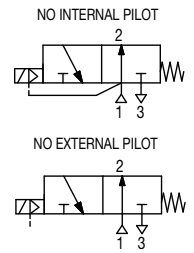
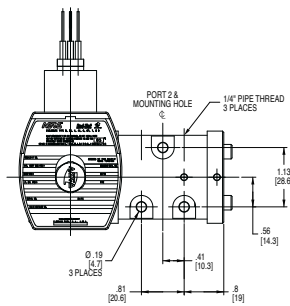
**Const. Ref. 38**



**SPECIAL SERVICE  
PILOT**

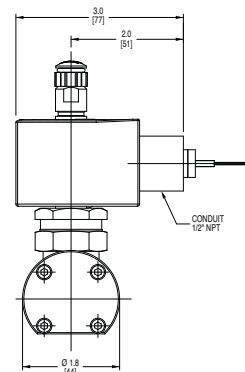
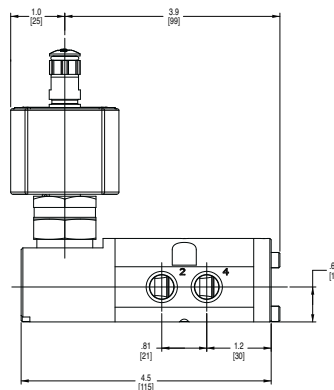
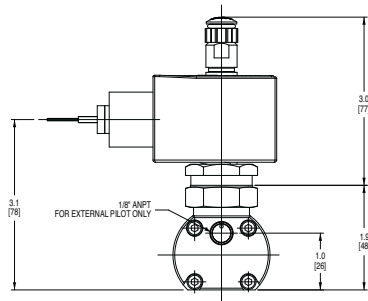
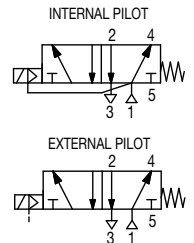
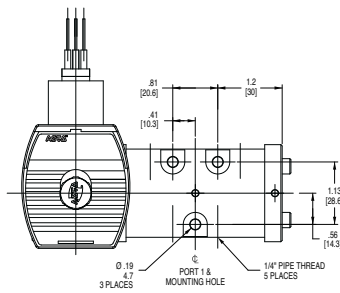
Dimensions: inches (mm)

Const. Ref. 39



SPECIAL SERVICE  
PILOT

Const. Ref. 40



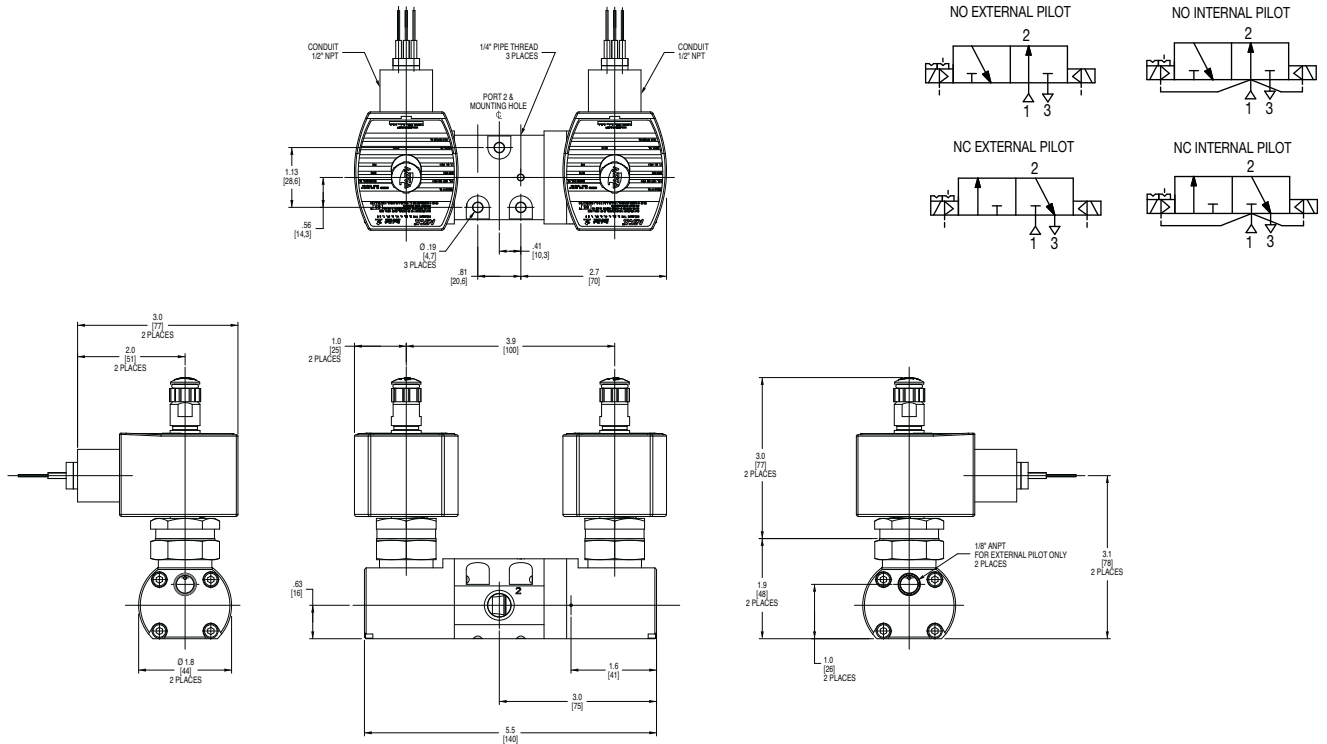
# ASCO™ Spool Valves

Pilot Operated, Explosion-Proof, Low Power Solenoid Valves | 1/4" - 1" NPT

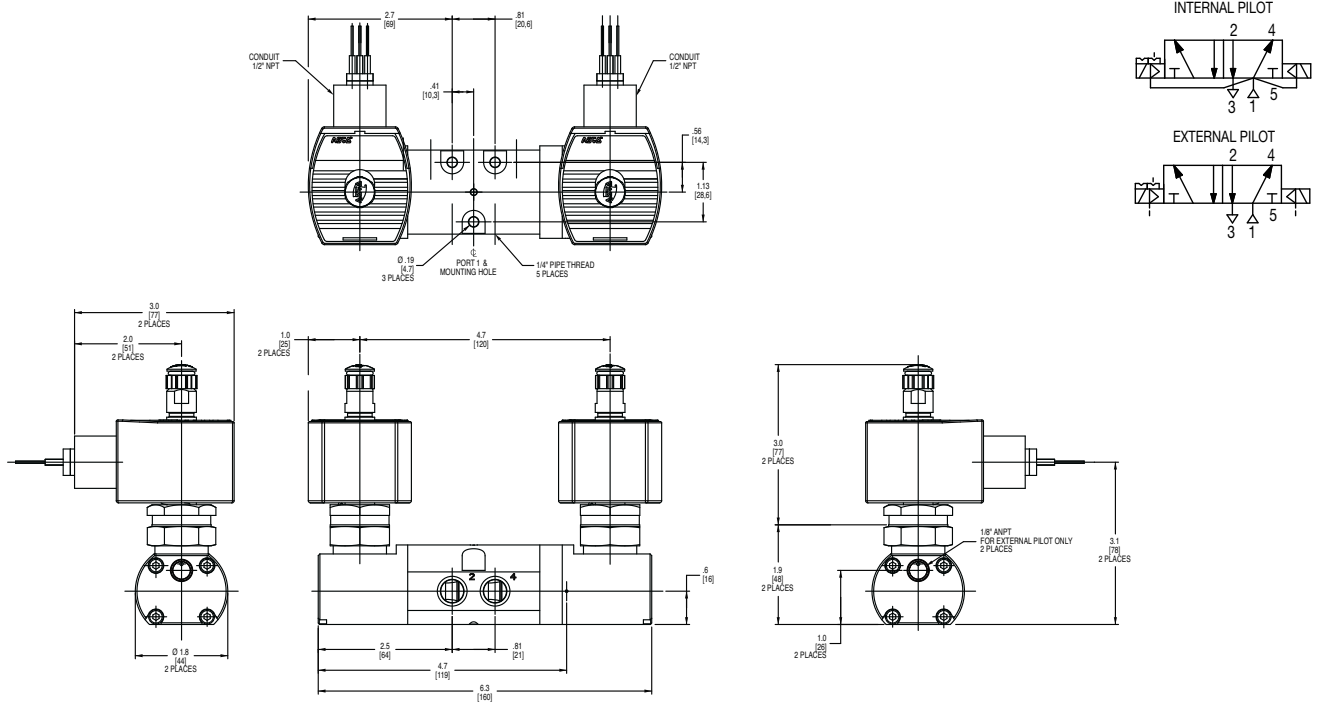
**3/2  
SERIES  
362/562**

## Dimensions: inches (mm)

### Const. Ref. 41



### Const. Ref. 42



**SPECIAL SERVICE  
PILOT**

3/2  
SERIES  
362/562

# ASCO™ Spool Valves

Pilot Operated, Explosion-Proof, Low Power Solenoid Valves | 1/4" - 1" NPT

---

**Dimensions: inches (mm)**

SPECIAL SERVICE  
PILOT